

Wood burning heater Harvia Pro 20 LS black

WK200LS

The Harvia 20 LS Pro stove is a popular choice for cottage saunas thanks to its practicality. The left side of the stove features a fixed and easy-to-use 30-litre water tank that heats up the water while the stove is being heated for bathing.



Features

Main material : Steel

H x W x D : 760.0 x 580.0 x 510.0 mm

Net weight (kg) : 65.2

Stone amount (kg) : 40.0

| ID | GTIN | Power | Sauna room size min - max m3 |
|---------|---------------|---------|------------------------------|
| WK200LS | 6417659017831 | 24.1 kW | 8.0-20.0 |

Spare parts

| Product | ID | Pcs |
|--|------------|-----|
| Furnace grate | ZKIP-10 | 1 |
| Connection pipe | ZKIP-130 | 1 |
| Ashpan RST Pro | ZKIP-720 | |
| Seal for water faucet | ZES-260 | 1 |
| Hinge pin | ZKIP-50 | 1 |
| Frame with parts for WK200 | ZROST-300 | 1 |
| Harvia mark | ZH1-170 | |
| Handle for stove + screws | ZKIP-670 | 1 |
| Handle for ash box | ZKIP-680 | |
| Stove door with glass | ZROST-048 | |
| Air-flow spoiler, LS/RS 2019 | ZROST-642 | |
| Water tap basket (RS/LS) | ZVS-105 | |
| Nut Dek5280 R1/2 25mm | ZES-250 | 1 |
| | ZKIP-155 | |
| Handle and screws, Chrome | SPZKIP-670 | |
| Adjustable legs for LG150/SL | SPZKIP-918 | |
| Nut R1/2 25mm | SPZES-250 | |
| Hinge pin | SPZKIP-50 | |
| Extension 25 mm hot water faucet | SPZES-240 | |
| Cap for smoke hole (Ø 50 mm) | SPZKIP-170 | |
| Water container 20 ES, stainless steel | SP035 | |
| Glass 184x210x4 mm Stoves 2006-, transparent | SPZTS-36 | |
| Gasket for hot water faucet | SPZES-260 | |
| Stove door with glass (from 2006) | SP048 | |
| Cast-iron grating 135x290mm, sauna heaters | SPZKIP-10 | |
| Ash box, 20 ES/SL,ESGF | SP681 | |
| Nut Dek5280 R1/2 25mm | ZES-250 | |

Technical details

| Technical data | Type / attribute | WK200LS |
|------------------------------------|---|-----------|
| | Color | Black |
| | Power output | 24.1 kW |
| | Stone amount (kg) | 40 |
| Dimensions | Product width | 580 |
| | Product height | 760 |
| | Product depth (mm) | 510 |
| | Net weight (kg) | 65.2 |
| | Gross weight | 67.3 |
| | Package width | 635 |
| | Package height | 760 |
| | Package depth | 560 |
| Connections | Flue connection locations | Back, Top |
| | Chimney connection diameter | 115 |
| Safety and installation dimensions | Safety distance front (non-combustible materials) | 300 |

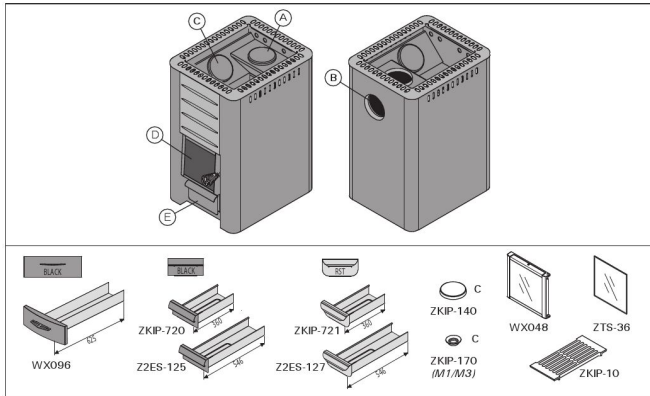
Technical details

| Technical data | Type / attribute | WK200LS |
|----------------|--|---------|
| | Safety distance front (combustible materials) | 300 |
| | Safety distance right side (combustible materials) | 300 |
| | Safety distance right side non-combustible materials | 100 |
| | Safety distance left side (combustible materials) | 300 |
| | Safety distance left side non-combustible materials | 100 |
| | Safety distance behind (non-combustible materials) | 100 |
| | Safety distance behind (combustible materials) | 300 |
| | Safety distance (Ceiling) | 1300 |
| | Room min. height(depends on connections and therefore from output, star/delta) | 2060 |

Technical images

1.1. Stove Parts

- A. Upper connection opening
- B. Rear connection opening
- C. Soot opening
- D. Stove door
- E. Ash box



Stove parts. Note! Only use replacement parts recommended by the manufacturer. Unauthorised modification of the stove is prohibited.

| | A min. | B min. | C min. | D min. |
|---|--------|--------|--------|--------|
| M1, M2, M3-SL, Classic 140 | 1200 | 250 | 300 | 300 |
| 20 Pro, 20 SL Duo, 20 ES Pro, S20 Boiler, 20 SL Boiler, Premium VS, Classic 220 Duo, 20 RS/LS Pro | 1300 | 300 | 300 | 300 |
| 26 Pro, Classic 280 | 1280 | 375 | 375 | 375 |
| 36, 36 Duo | 1250 | 500 | 500 | 500 |
| Linear 16, 16 | 1300 | 300 | 350 | 400 |
| Linear 22, 22 S, Linear 22 RS/LS/ES, 22 RS/LS/ES | 1265 | 400 | 380 | 500 |
| Linear 28 | 1380 | 400 | 400 | 500 |

Safety distances (all dimensions in millimeters)

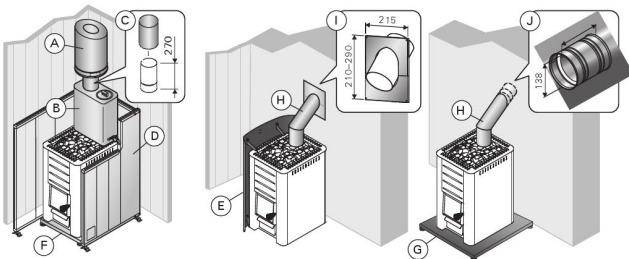
| WX017 | B min. |
|--|--------|
| M1, M2, M3-SL, 20 Pro, 20 SL Duo, 20 ES Pro-S, 20 Boiler, 20 SL Boiler, Premium, Classic 140-SL, Classic 220 Duo | 300 |
| 26 Pro, Classic 280 | 375 |
| Linear 16, 16 | 300 |
| Linear 22/28, Linear 22 ES, 22 ES S, 22 S | 400 |

| WL400/WL450 | M1, M2, M3-SL | B min. | C min. | D min. | F |
|-------------------------|-----------------------------|--------|--------|--------|----|
| 20 Pro-SL Duo | 50 | 50 | 300 | 30 | |
| WL500/WL550 | 20 Pro-SL Duo | 62 | 62 | 422 | 30 |
| 20 Boiler, 20 SL Boiler | | | | | |
| WL600/WL650 | 20 ES Pro-S | 73 | 73 | 526 | 30 |
| WL700/WL750 | 26 Pro | 90 | 90 | 700 | 30 |
| WL800/WL850 | 36, 36 Duo | 62 | 62 | 422 | 30 |
| WL500/WL590 | 20 RS/LS Pro | 30 | 30 | 400 | 32 |
| WL425/WL475 | Linear 16, 16 | | | | |
| WL525/WL575 | Linear 22, 22 S | | | | |
| WL525/WL585 | Linear 22 RS/LS, 22 RS/LS S | 70 | 70 | 500 | 40 |
| WL530/WL580 | Linear 22 ES, 22 ES S | | | | |
| WL725/WL775 | Linear 28 | | | | |

Safety distances with protective sheaths (all dimensions in millimeters)

3.4. Accessories

- A. Harvia steel chimney WHP1500.
- B. Water heater VL221. Installed on the top of the upper connection opening. When a protective sheath or other protection is used that is not large enough to protect the inflammable materials around the stove from the heat radiation of the pipe between the water heater and smoke flue, you must install a radiation cover around the pipe.
- C. Radiation cover WZ020130. Installed around the smoke pipe.
- D. Harvia protective sheath WX017.
- E. Harvia protective sheath WL400-WL775.
- F. Harvia protective bedding WX018, WL100. (not for models 20 RS/LS Pro, 36, 36 Duo, Premium VS, Linear 22 RS/LS, 22 RS/LS S).
- G. Harvia protective bedding WL110 (not for models 20 ES Pro/S, Linear 22 ES, 22 ES S).
- H. Angle smoke pipe. Different models.
- I. Lead-through flange for smoke pipe WZ020115. Covers the edges of the flue opening and the sealing in the wall. Made of stainless steel. Consists of two parts to make it useable with differently inclined smoke pipes.
- J. Masonry connector WZ011115. Connected to the flue opening, does not require other seals. The inner side already has a seal.



Accessories (all dimensions in millimeters)