

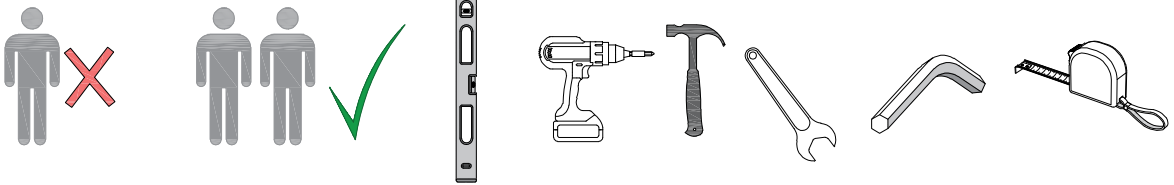


BLOCK SAUNA CABIN  
INSTALLATION INSTRUCTIONS

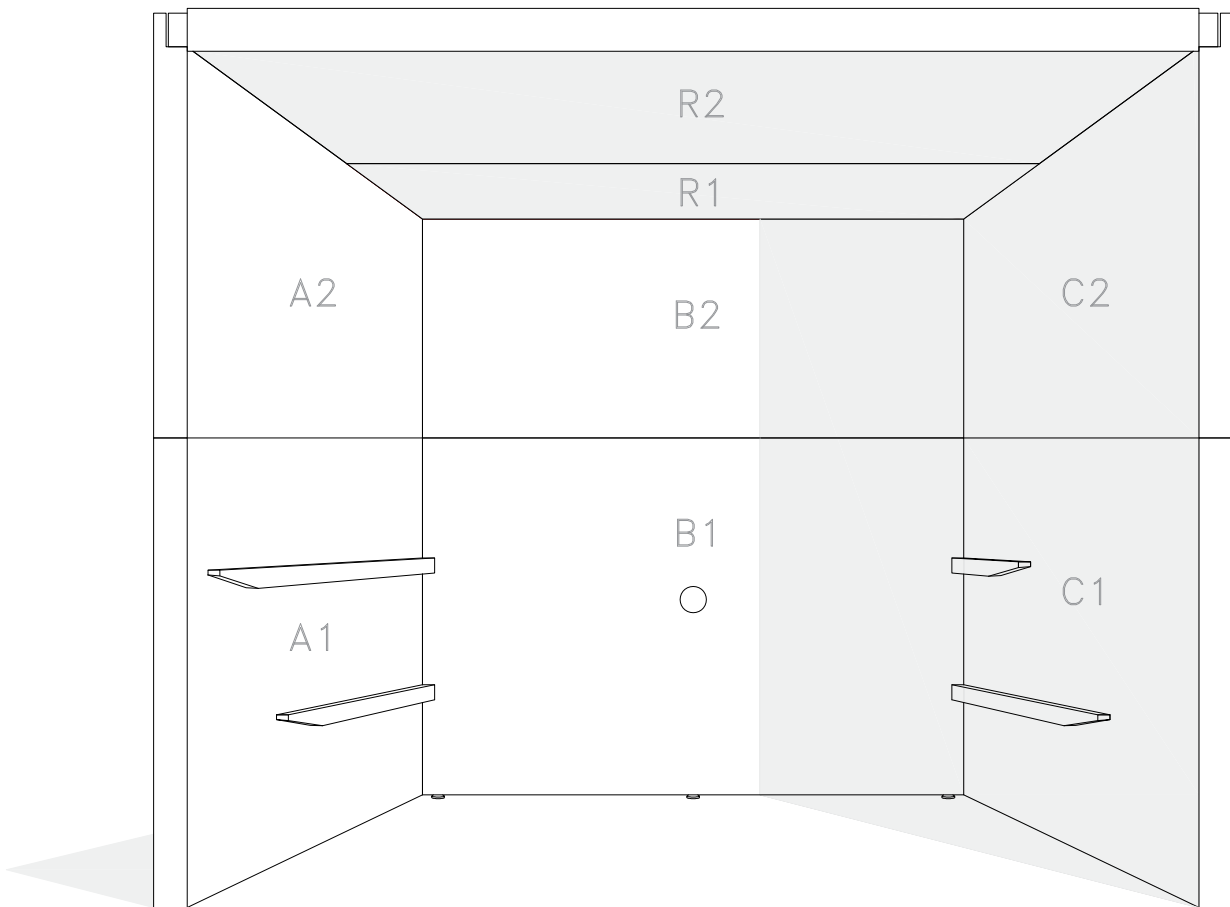




Table of contents BLOCK-sauna cabin		
Sauna cabin		
Wall-elements	Info	Quantity
A1		1 pc
A2		1 pc
B1		1 pc
B2		1 pc
C1		1 pc
C2		1 pc
Back steel profile		
Back profile L (LEFT)	ZVEL-720	1 pc
Back profile R (RIGHT)	ZVEL-721	1 pc
Roof element(s)		
R1		1 pc
R2	if depth bigger than 1200mm	1 pc
Front steel profile		
Front profile L (LEFT)	ZVEL-730	1 pc
Front profile R (RIGHT)	ZVEL-731	1 pc
Back corner covers		
Left back corner cover		1 pc
Right back corner cover		1 pc
Benches		
Lower bench 1		1 pc
Lower bench 2	layout dependent	1 pc
Upper bench 1		1 pc
Upper bench 2	layout dependent	1 pc
Upper bench 3	layout dependent	1 pc
Bench support(s)		
Decorative bench support(s)	layout dependent	
Standard bench support(s)	layout dependent	
Back rest(s)		
Back rest 1		1 pc
Back rest 2	layout dependent	1 pc
Back rest 3	layout dependent	1 pc
Glass front		
G1	Next to door with hinges	1 pc
G2	Next to door	1 pc
G3	Side wall glass, if ordered	1 pc
G4	Side wall glass, if ordered	1 pc
D	Door glass	1 pc
UG	Upper glass above the door	1 pc
Sealant for glass corner	Only with glass corner	1 pc
Hinges	1-032-927 black	2 pcs
Door handle	Nuppi4, black	1 pc
Magnet holder	ZVEL-500	1 pc
Counter part for magnete	ZVEL-501	1 pc
Magnet	SAZ048KPL	1 pc
Glass support leg	SAZ064M	2-6 pcs
LIGHTNING		
Sauna lamp white	SAS21060T	1 pc
Ventilation		
Air vent IN, pine	SZ093MA	1 pc
Ventilation pipe, steel	XVEL-10	1 pc
Air slat OUT, pine	SAS24300	1 pc
OPTIONS		
RGBW-LED tubes	if ordered	
Power 90W / 160W (24V)	LED-PWS-24-90	
Power 160W (24V)	LED-PWS-24-160	
RGBW LED funk driver CV 24V	LC-CV-VP	
RGBW LED remote unit 1 zone	LR-1Z	

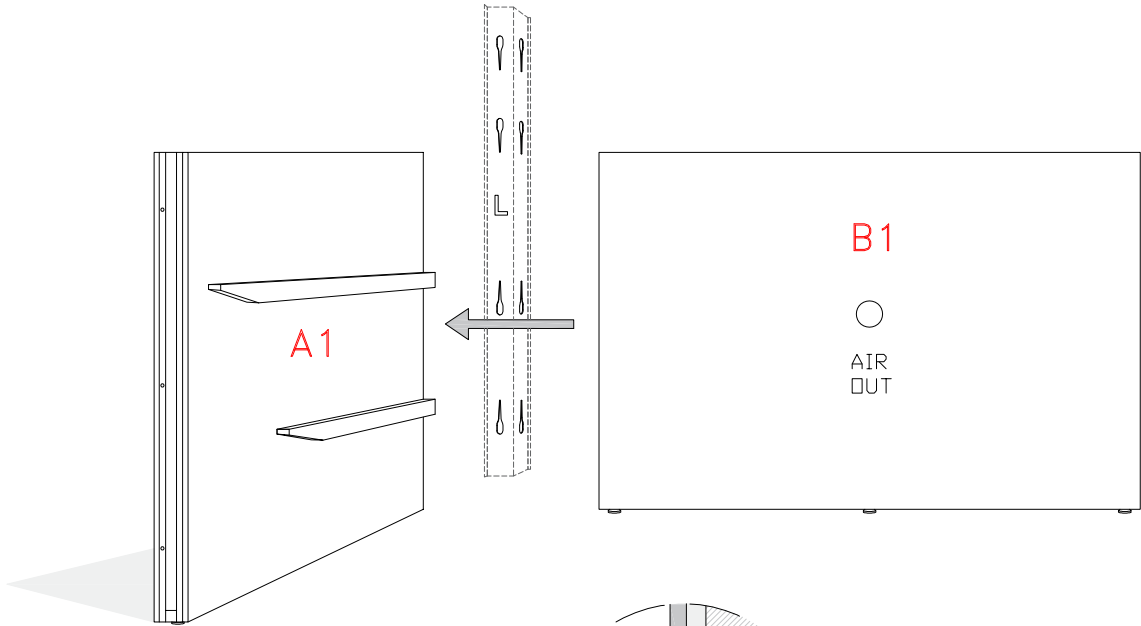


BLOCK-sauna (Dual Air Flow System)  
Installation order of wall- and  
ceiling elements

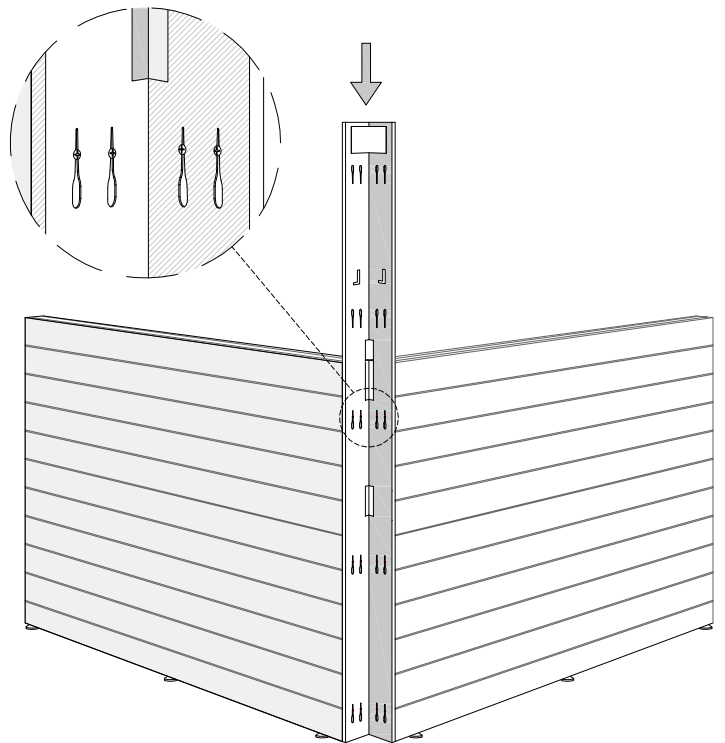




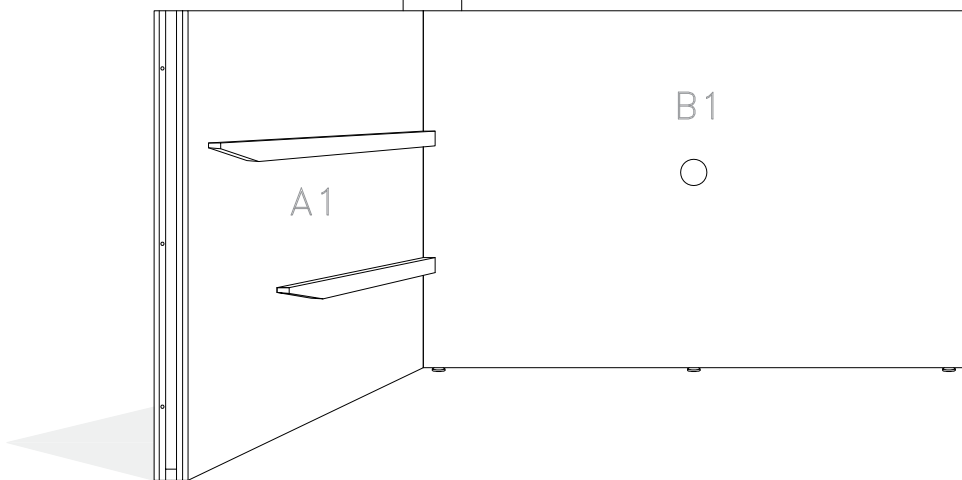
1



L = LEFT

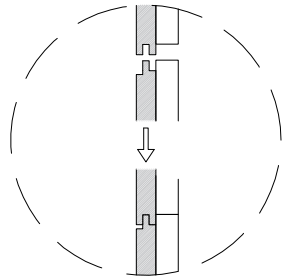
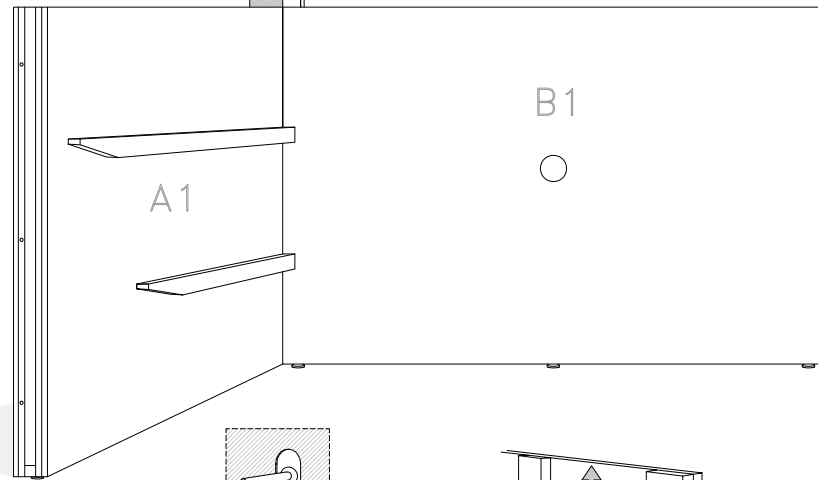
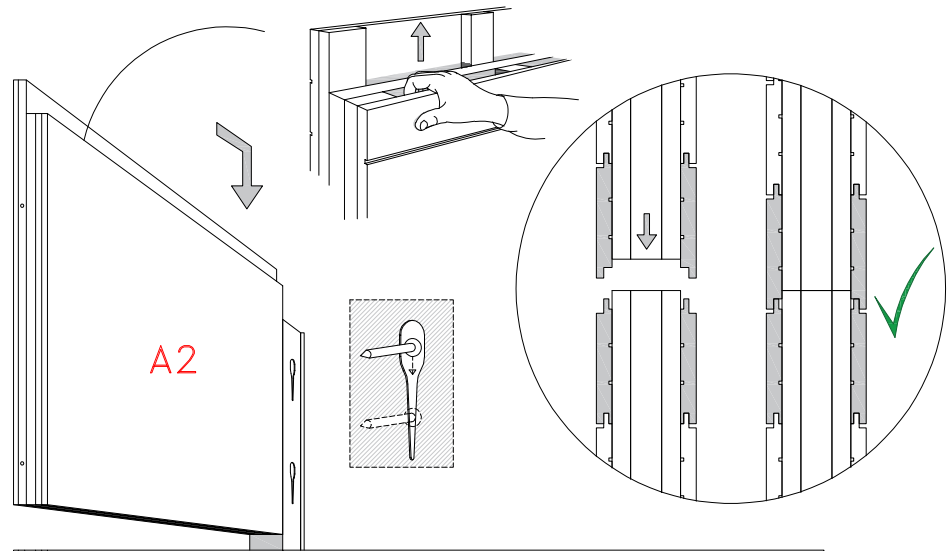


2

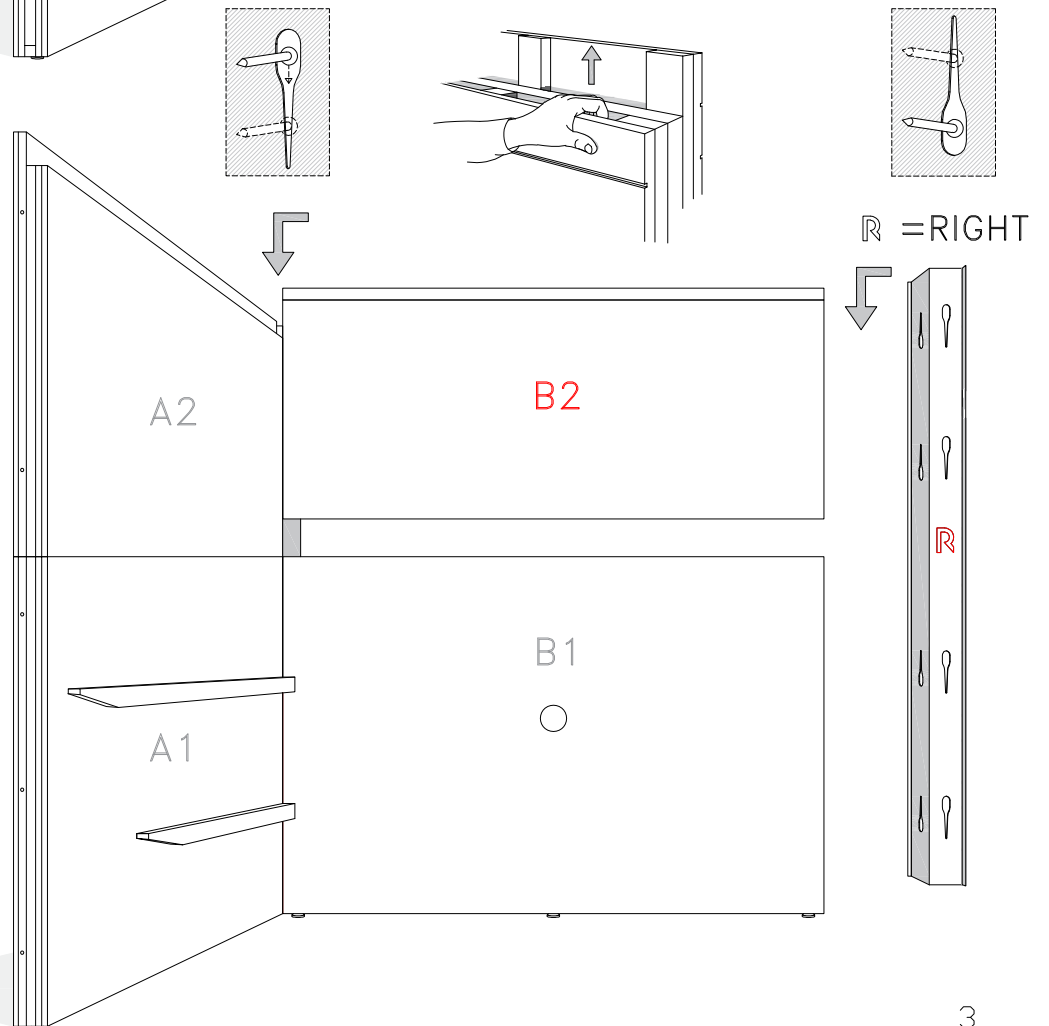




3

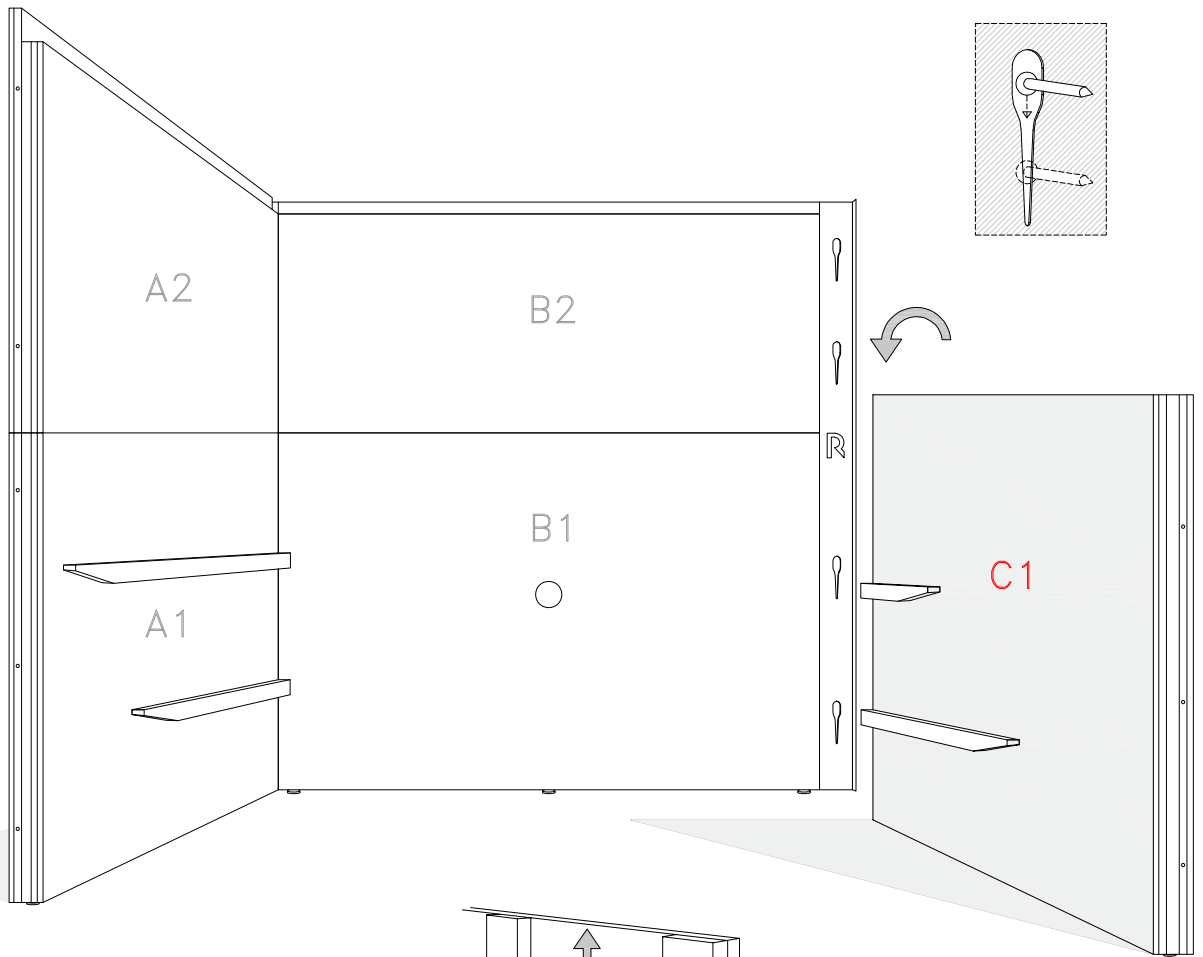


4

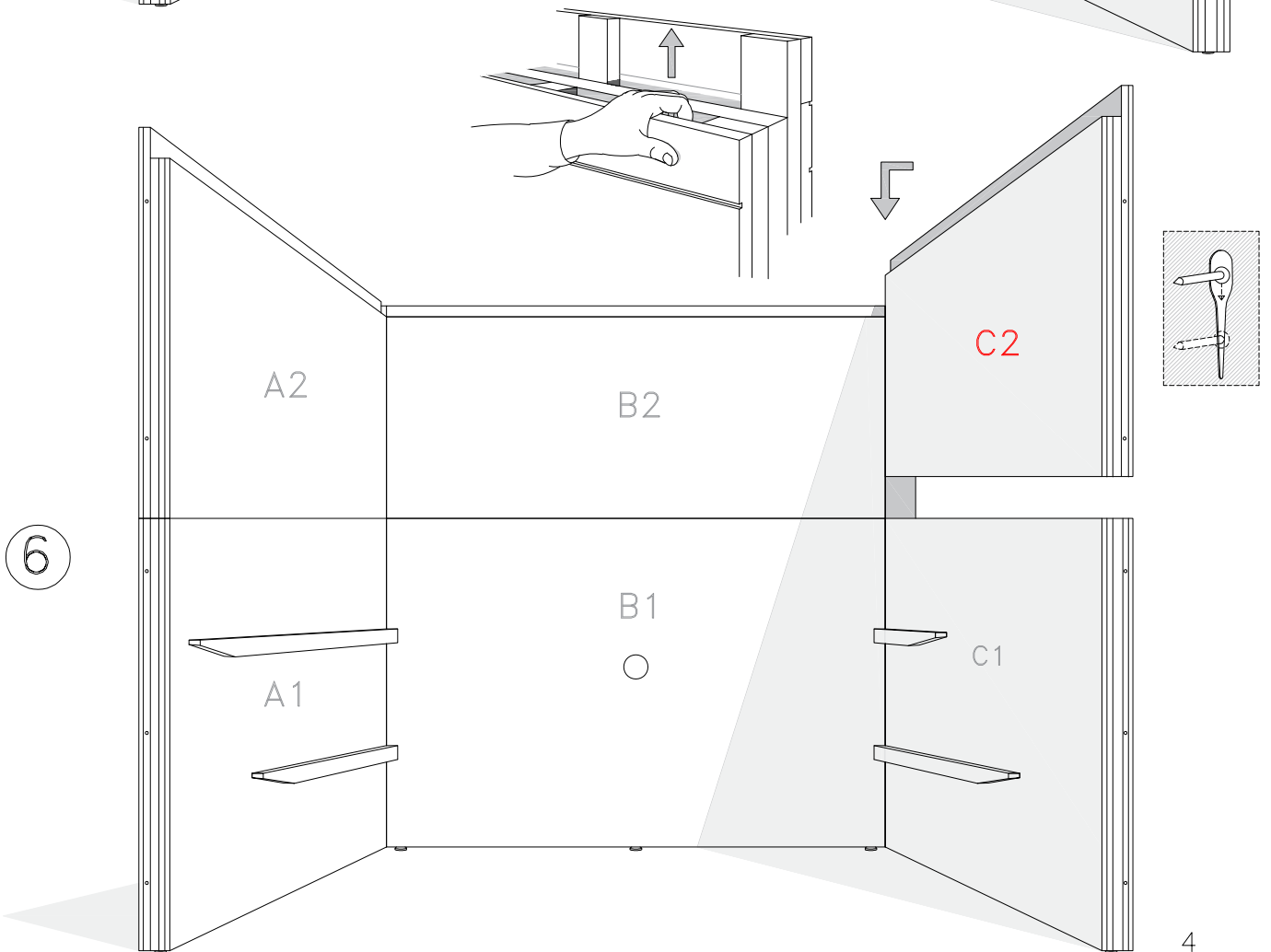




5

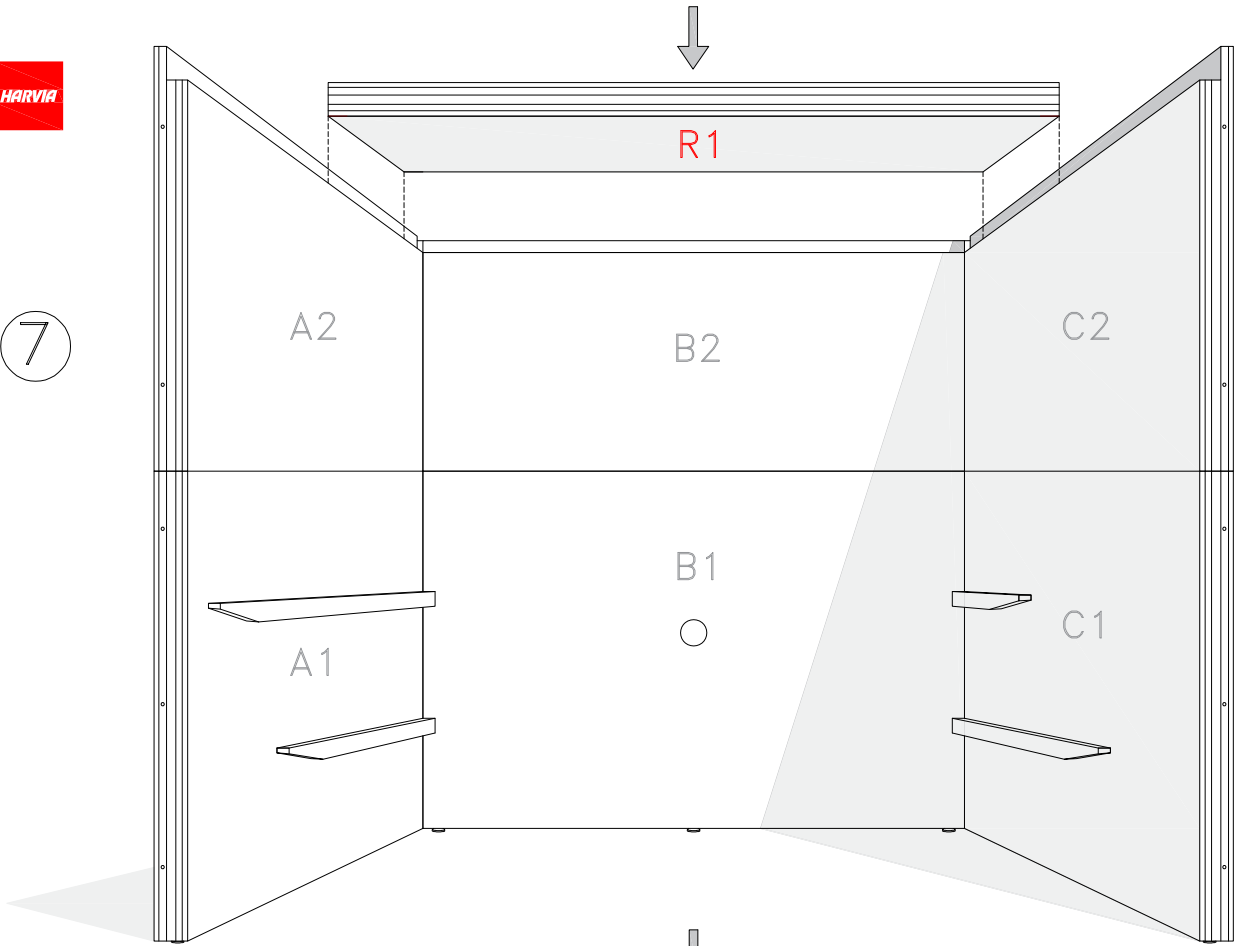


6

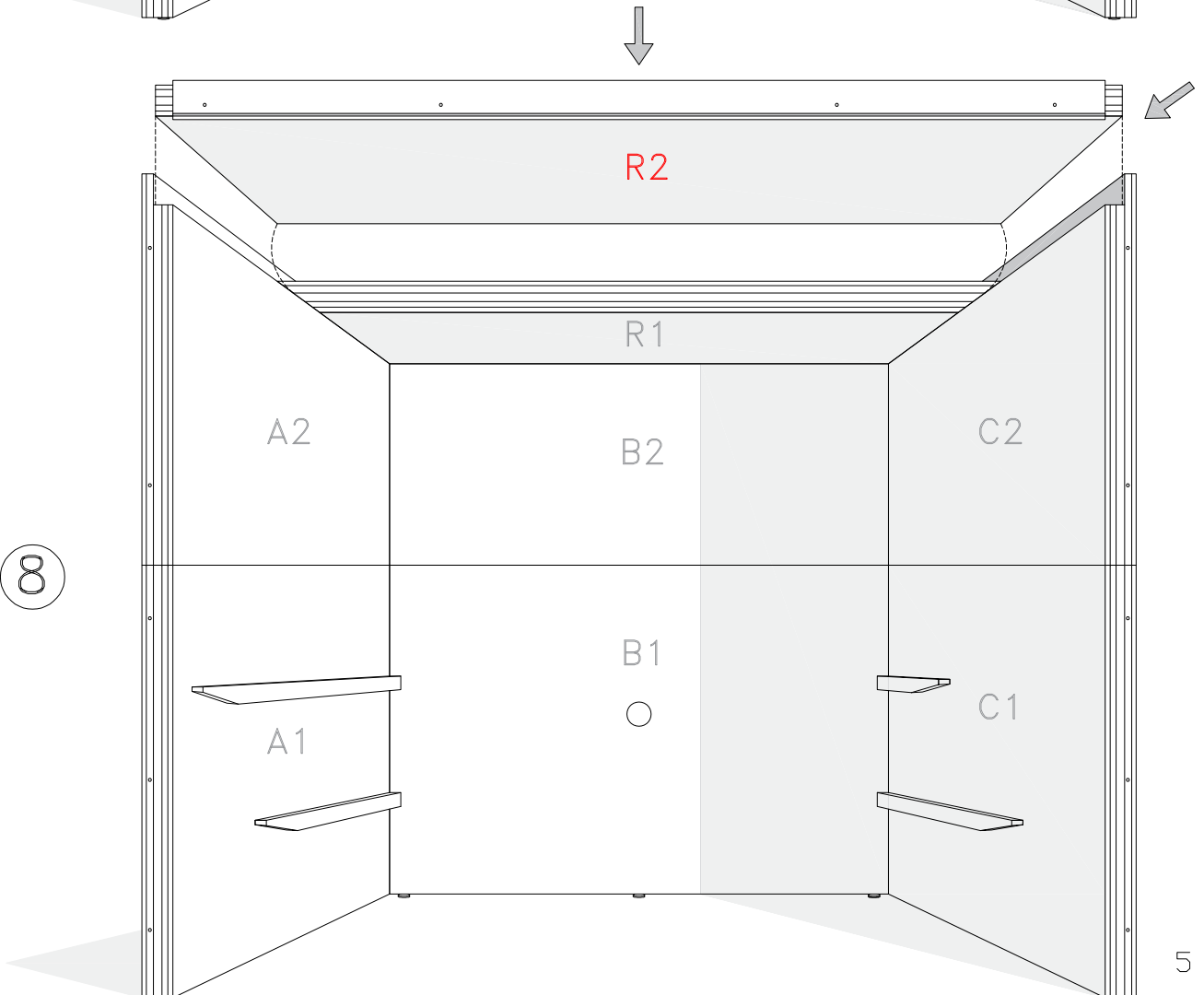


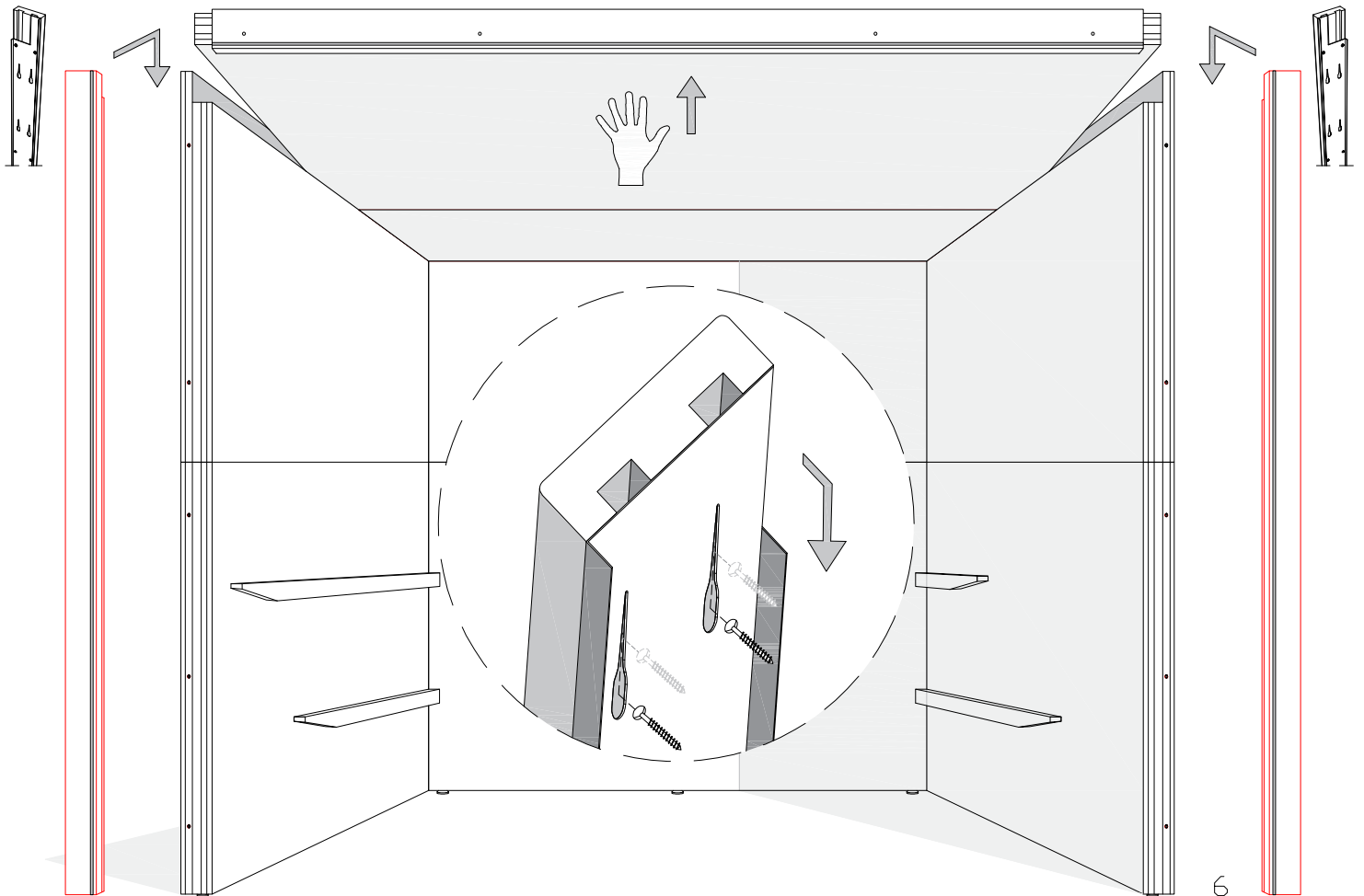
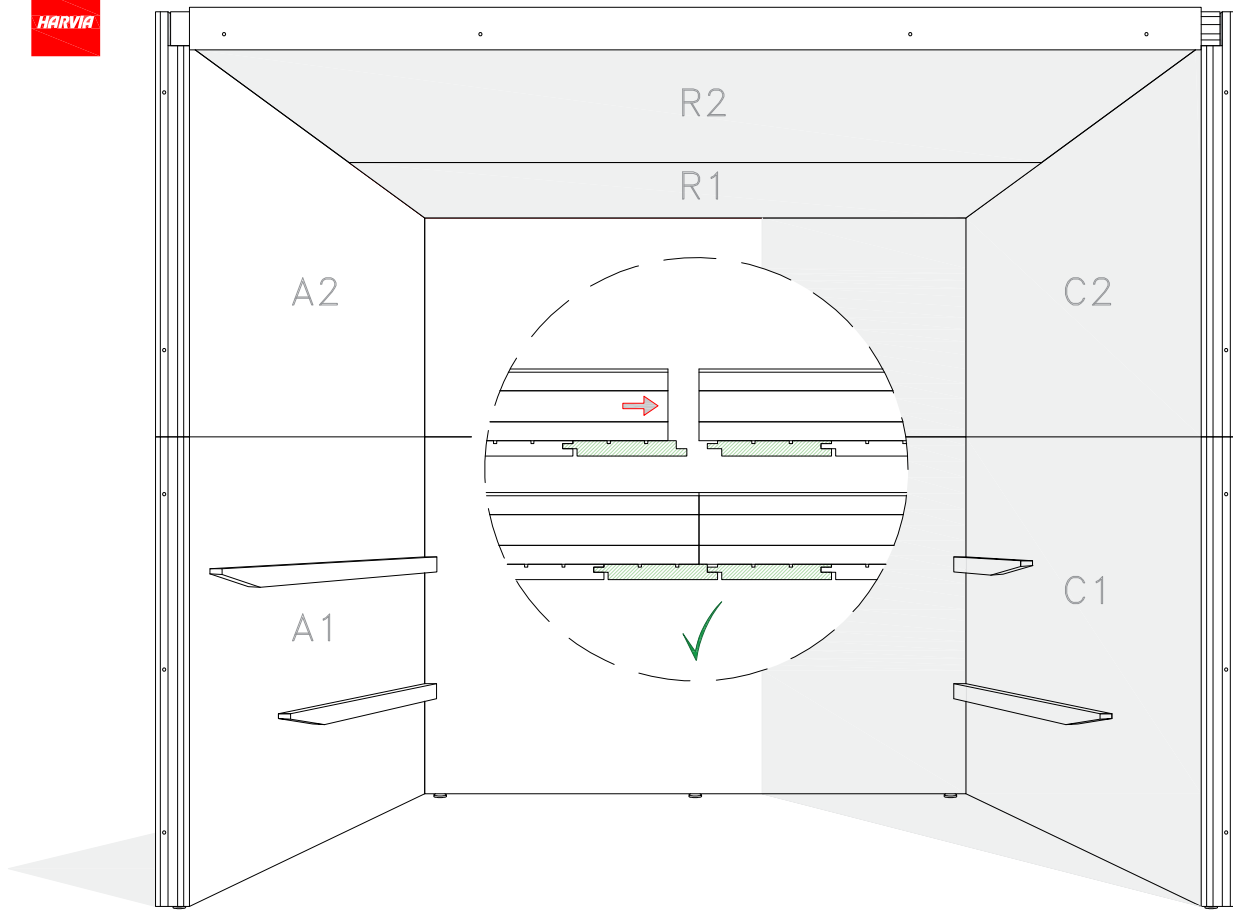


7



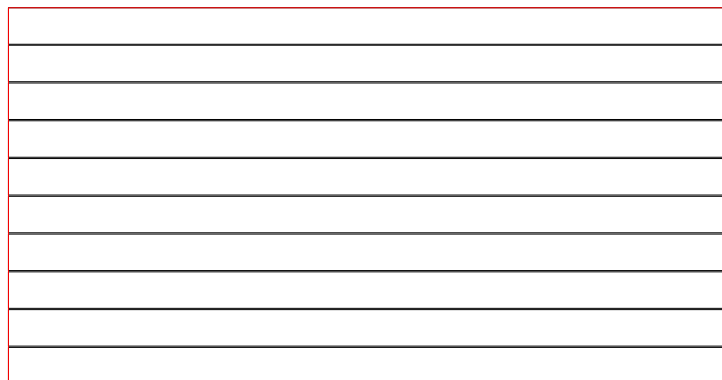
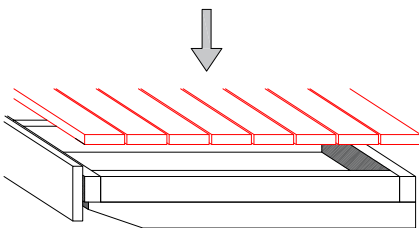
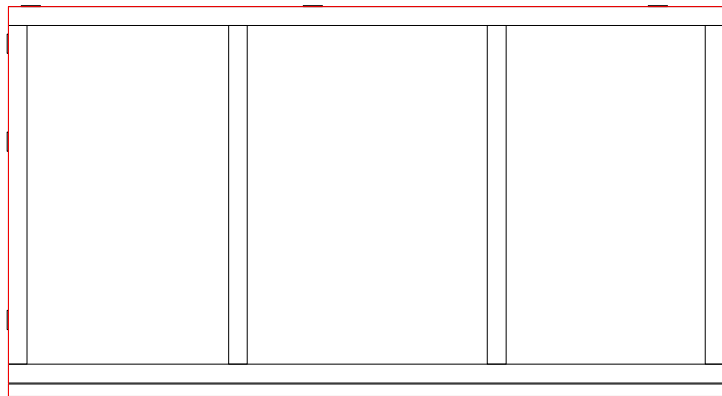
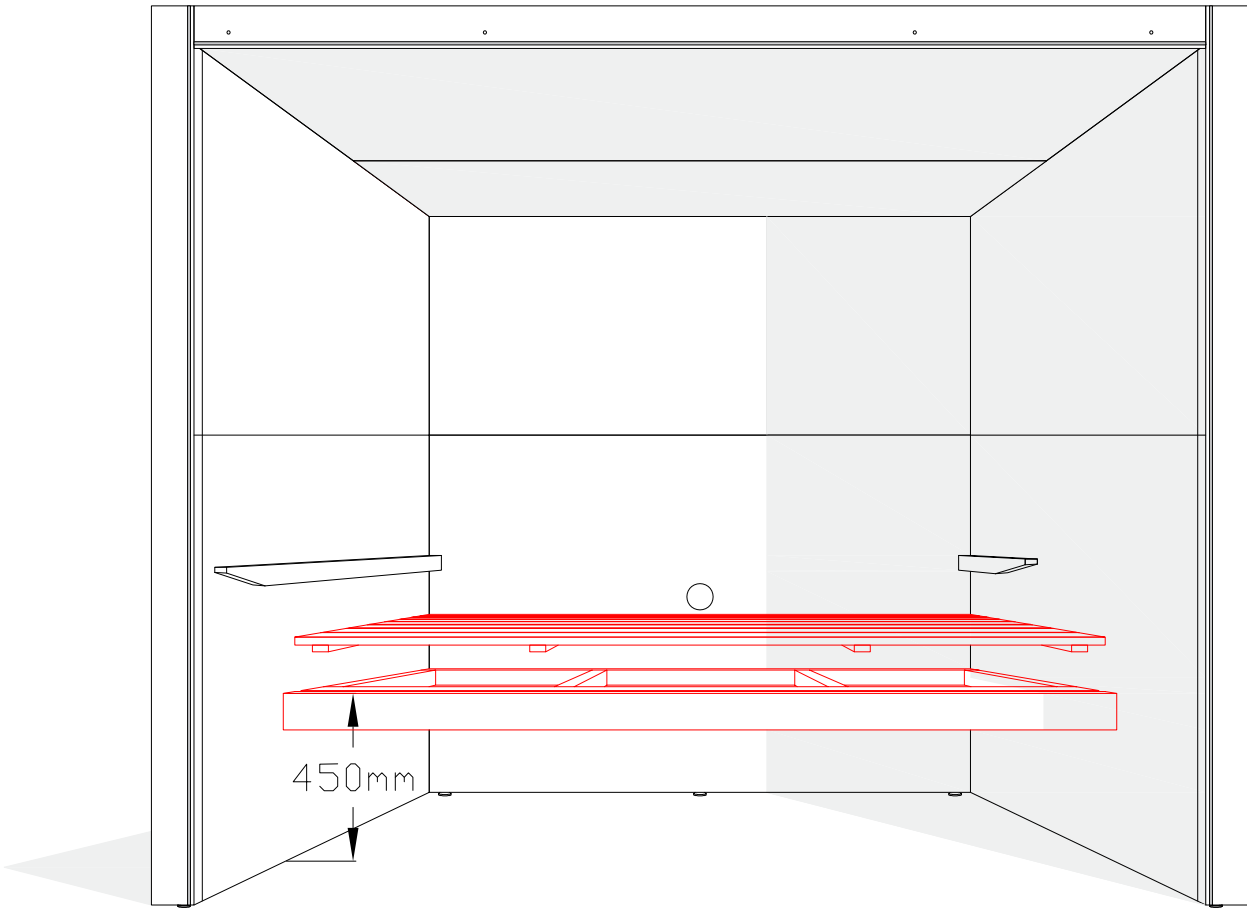
8

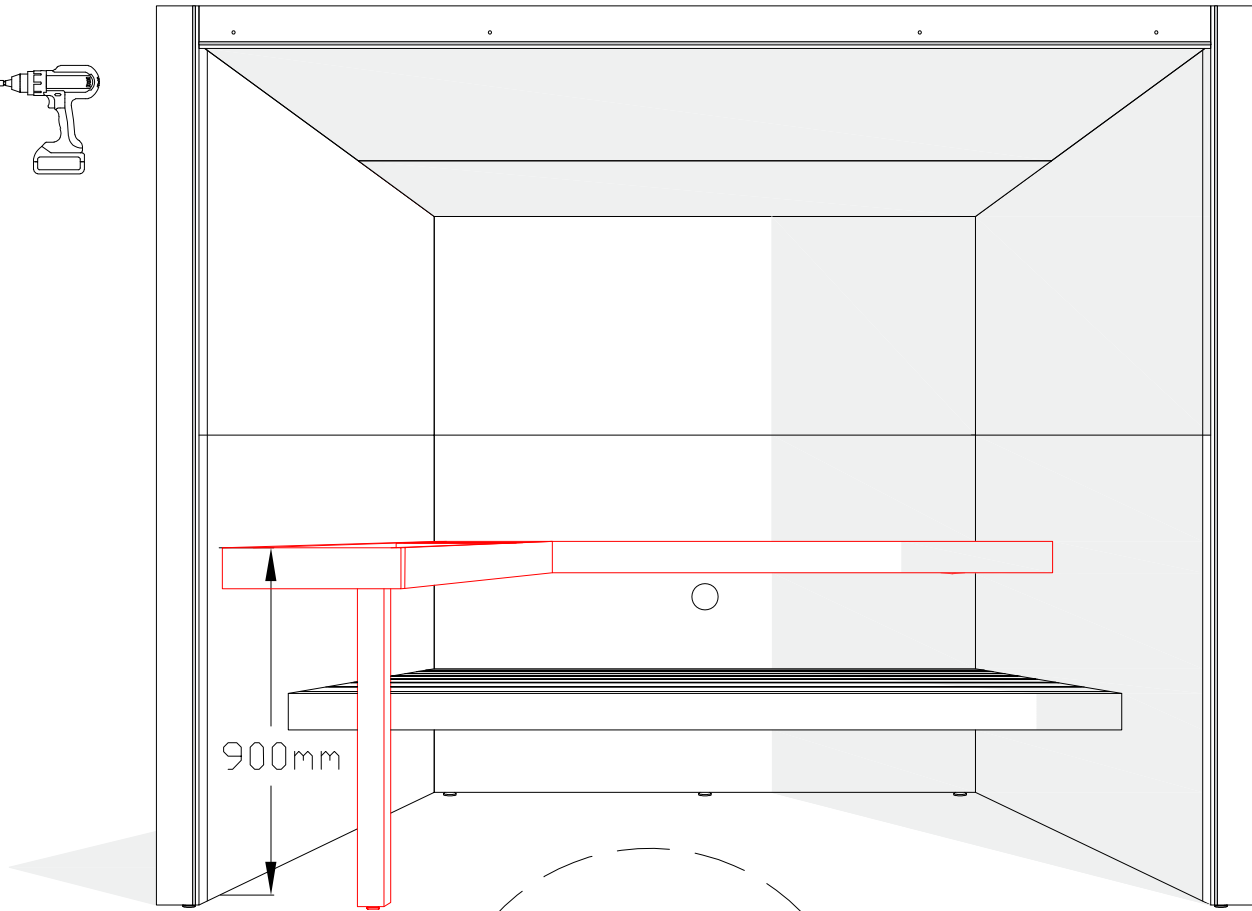




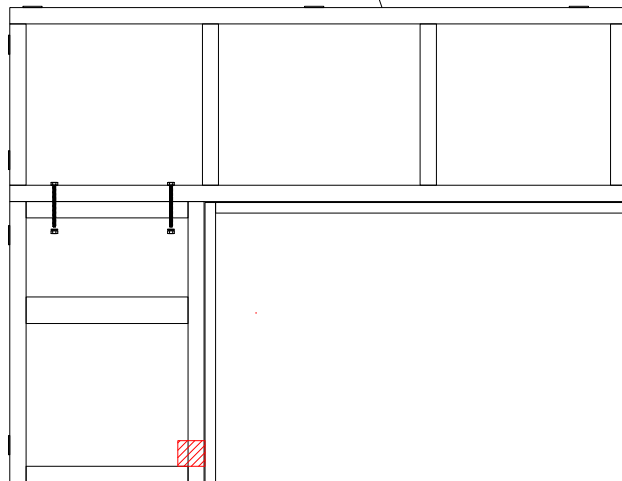
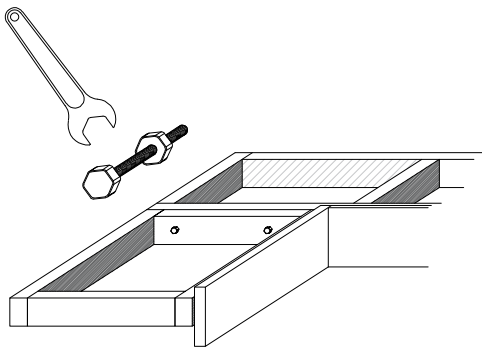
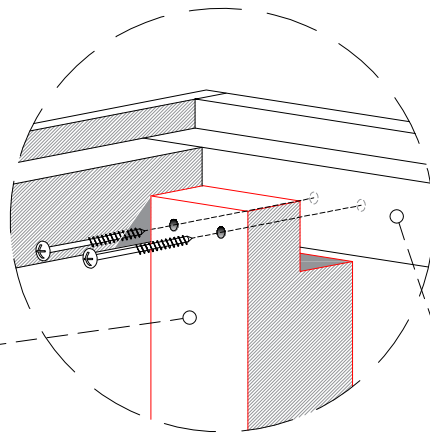
6

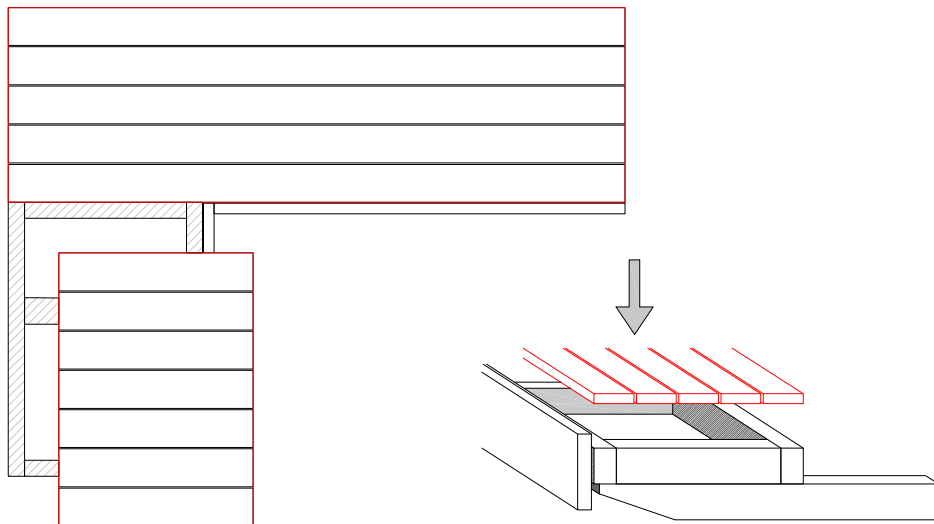
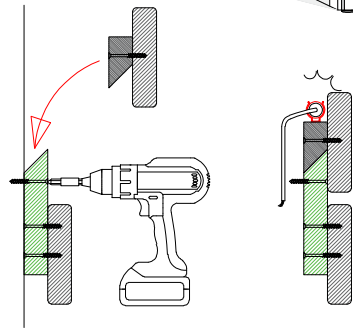
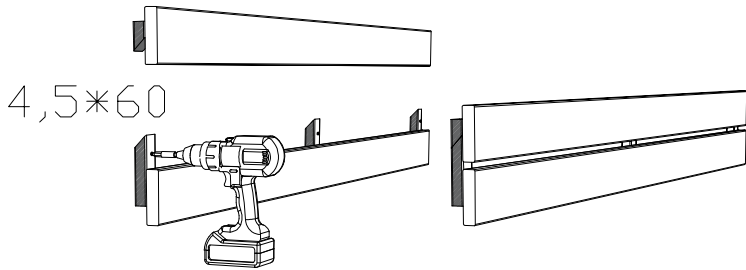
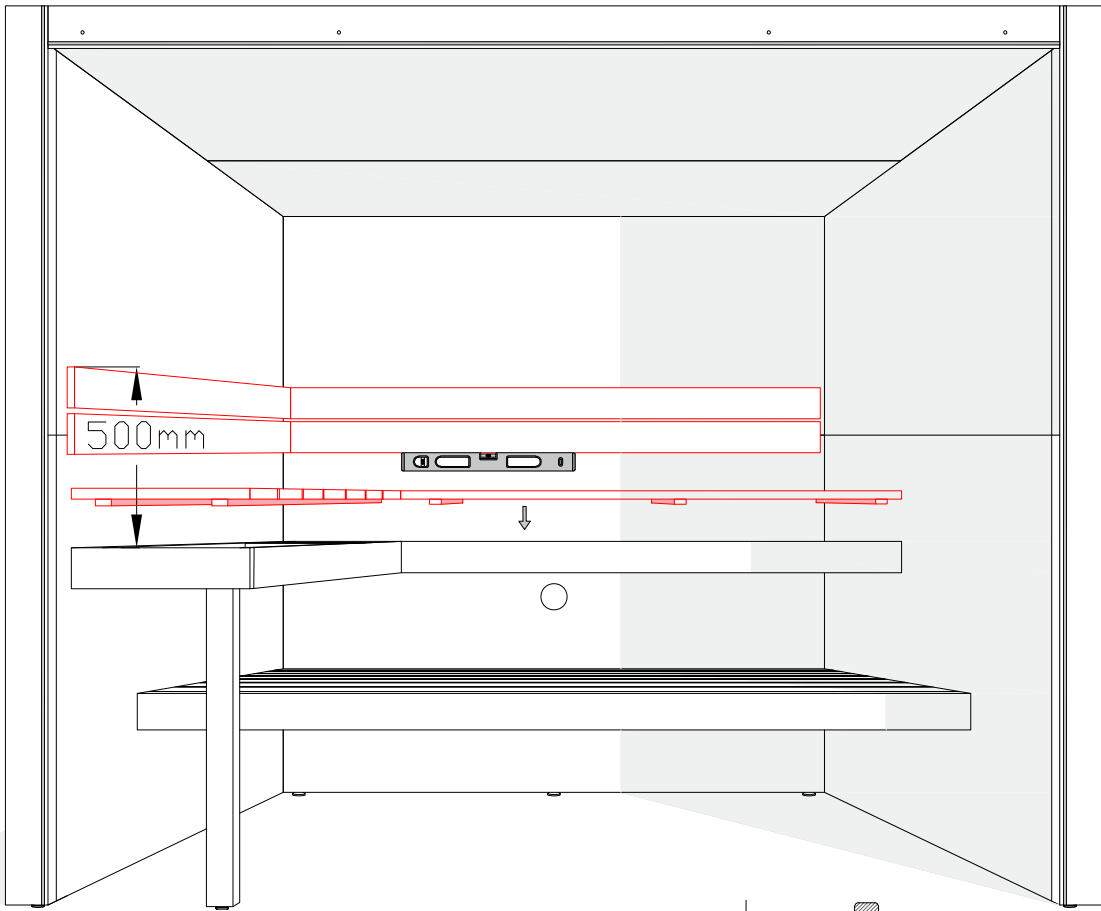
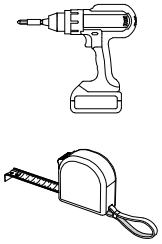


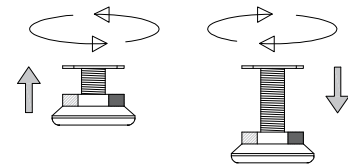
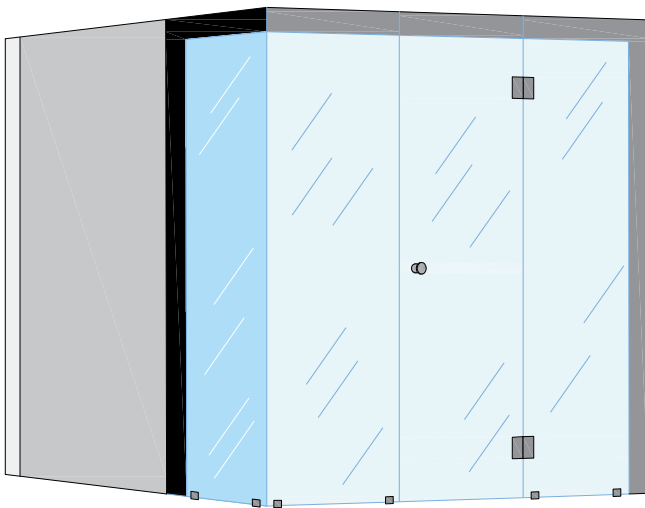
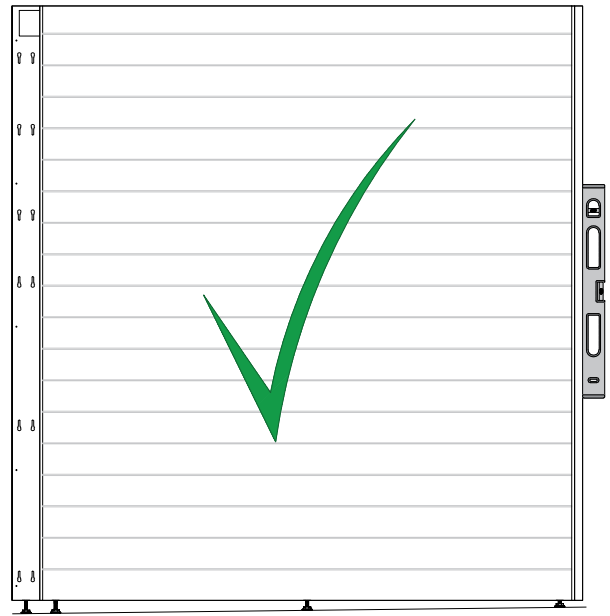
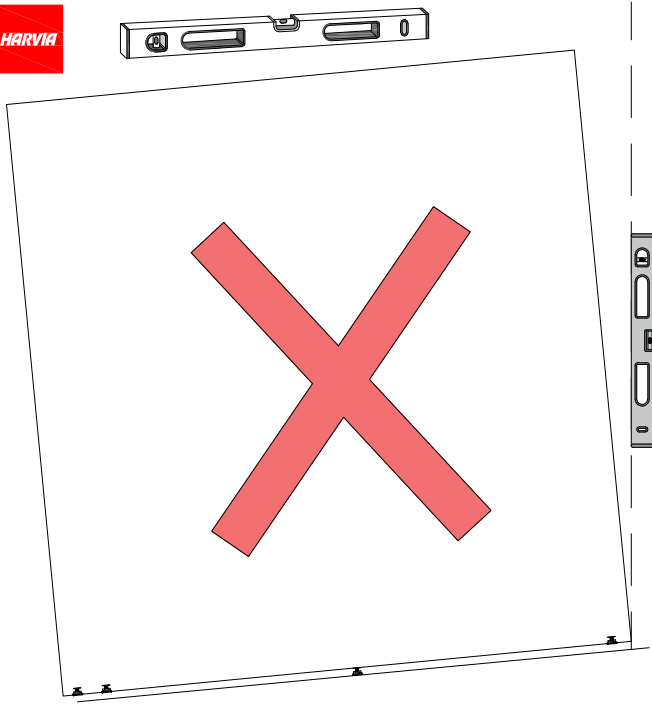




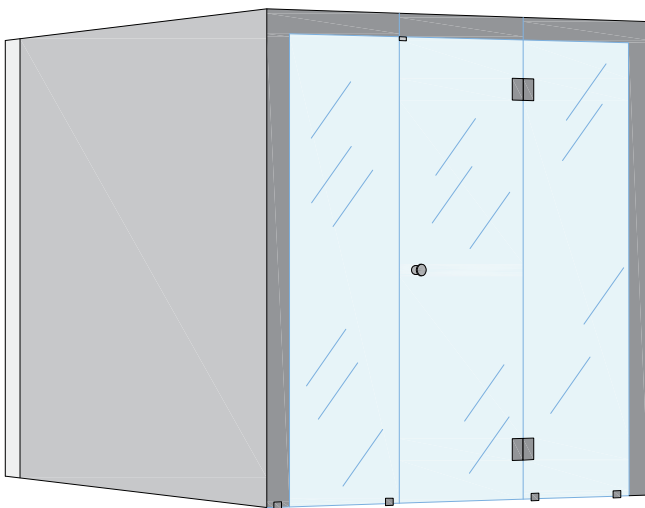
900mm



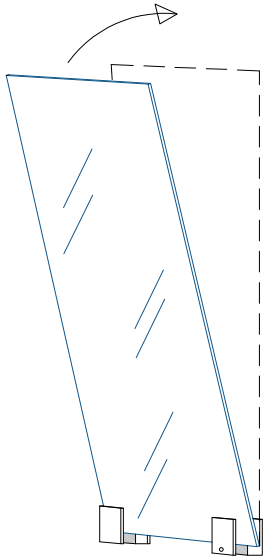
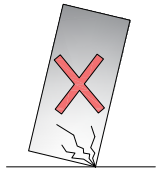
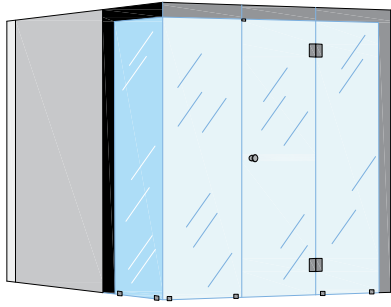




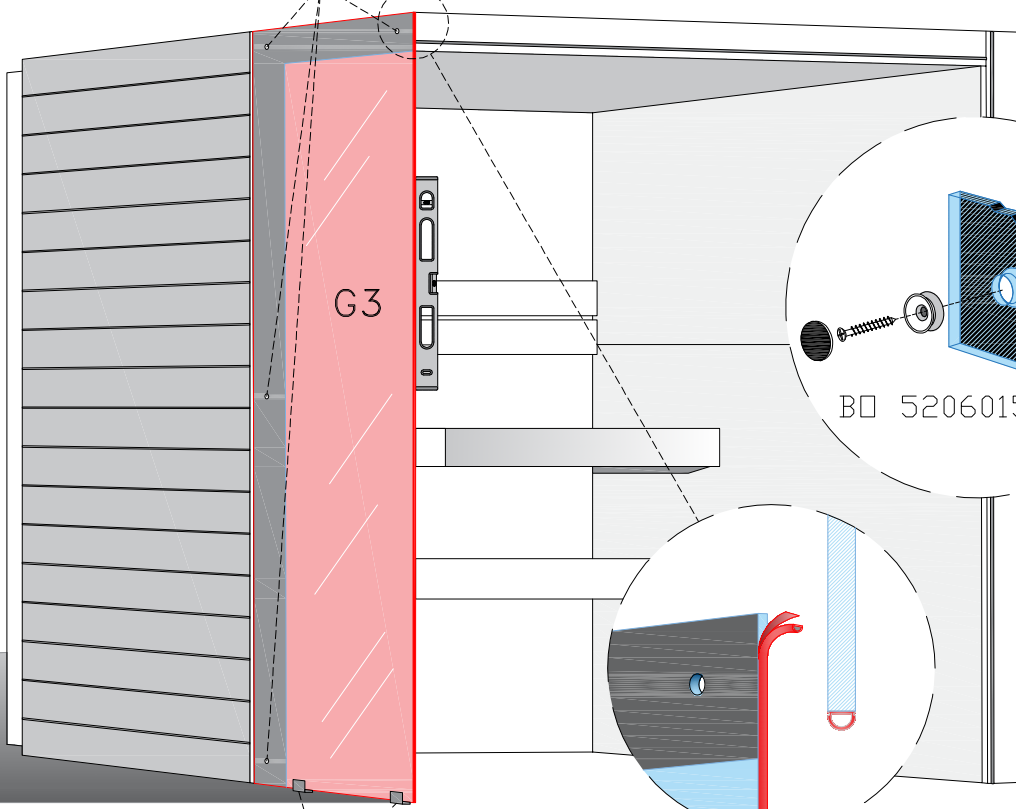
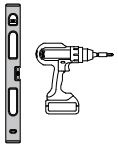
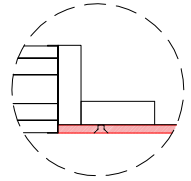
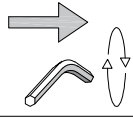
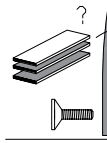
→ p.11



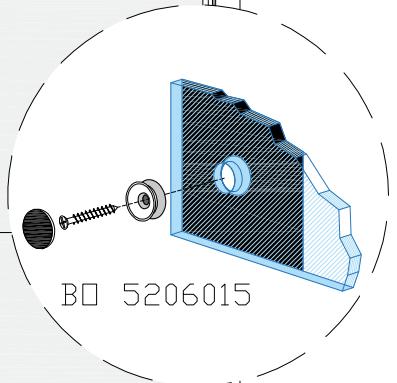
↙ p.15



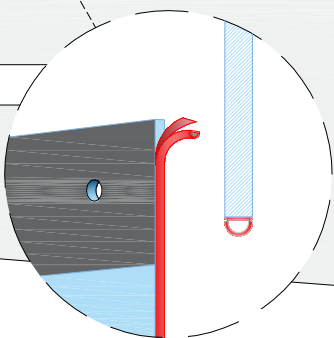
SAZ064M



G3



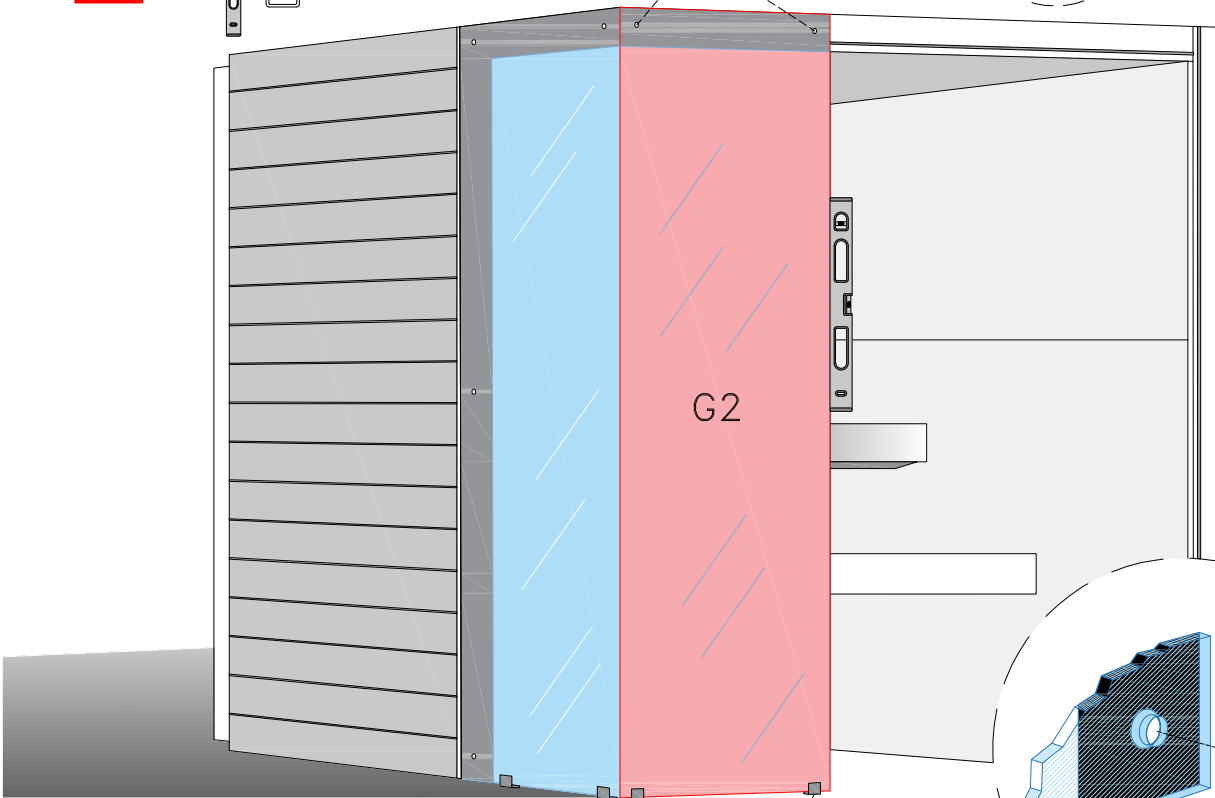
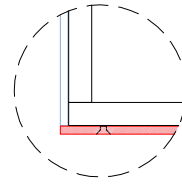
B0 5206015



SAZ064M

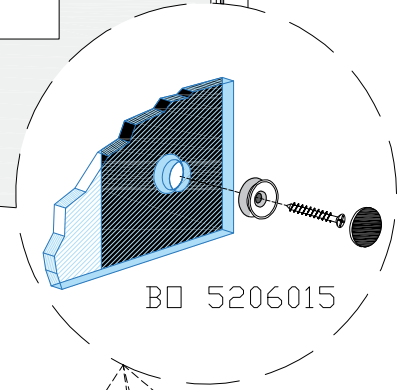


BO 5206015

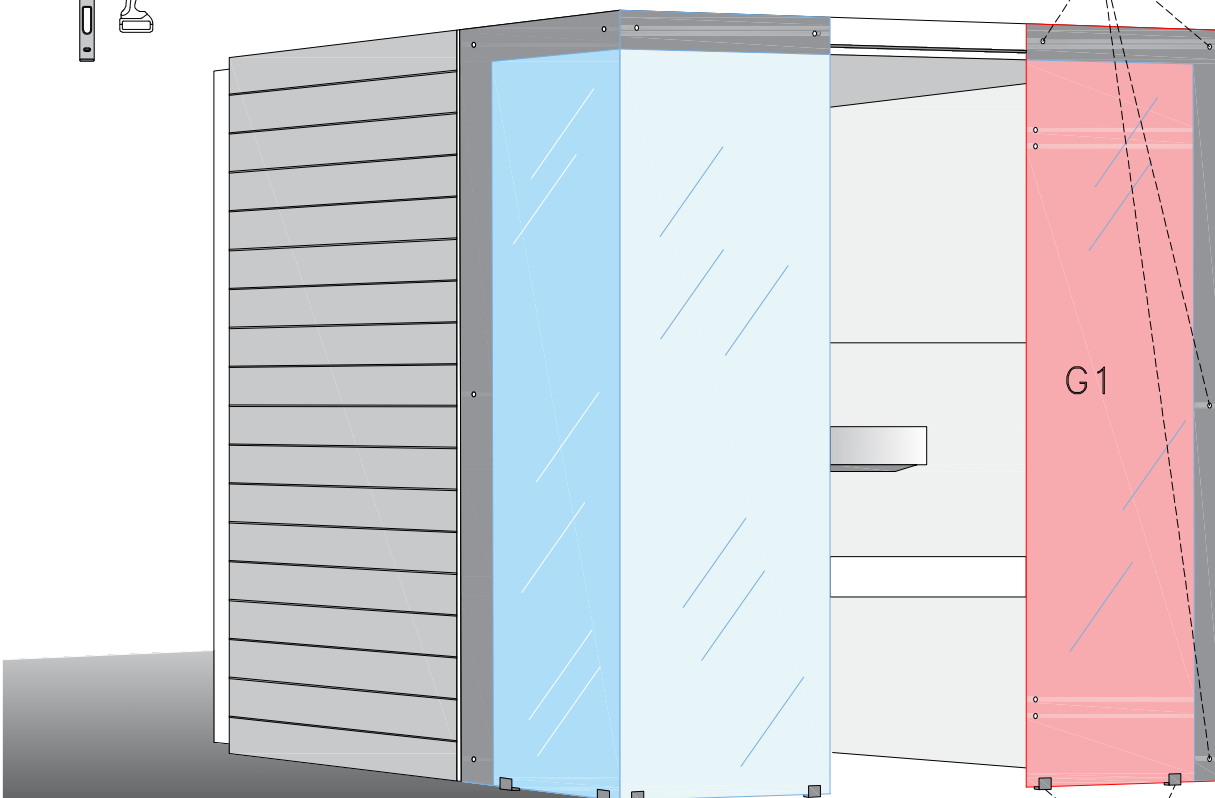
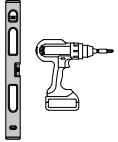


G2

SAZ064M

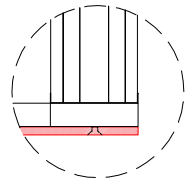


BO 5206015

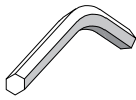


G1

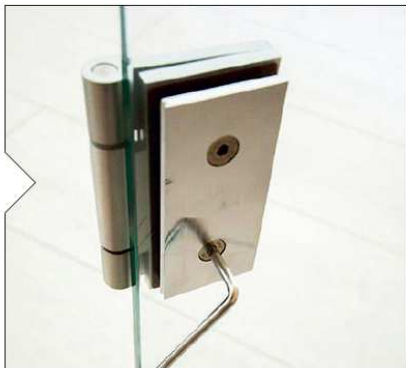
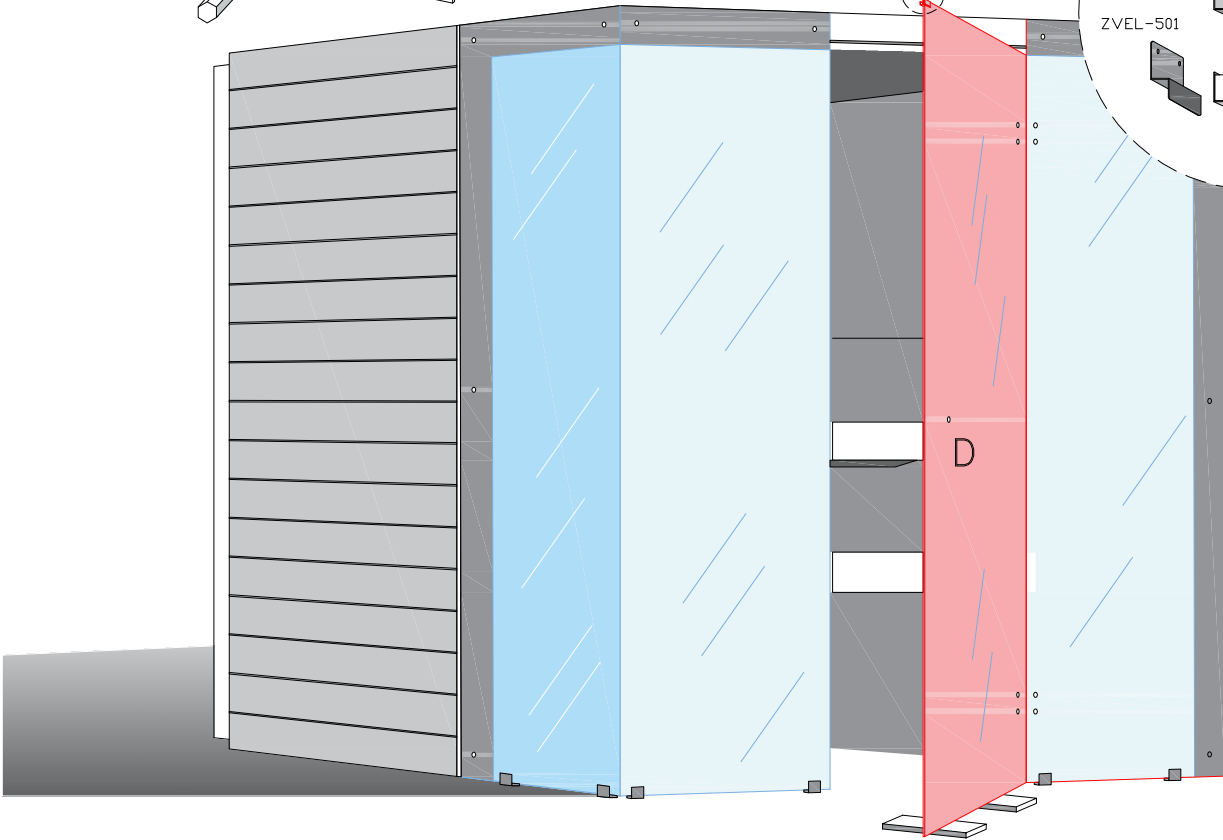
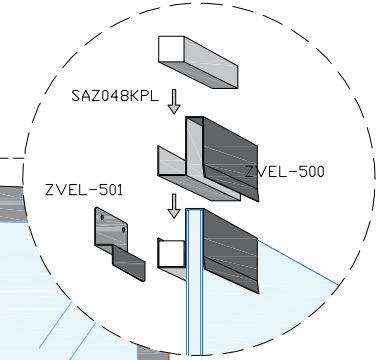
SAZ064M

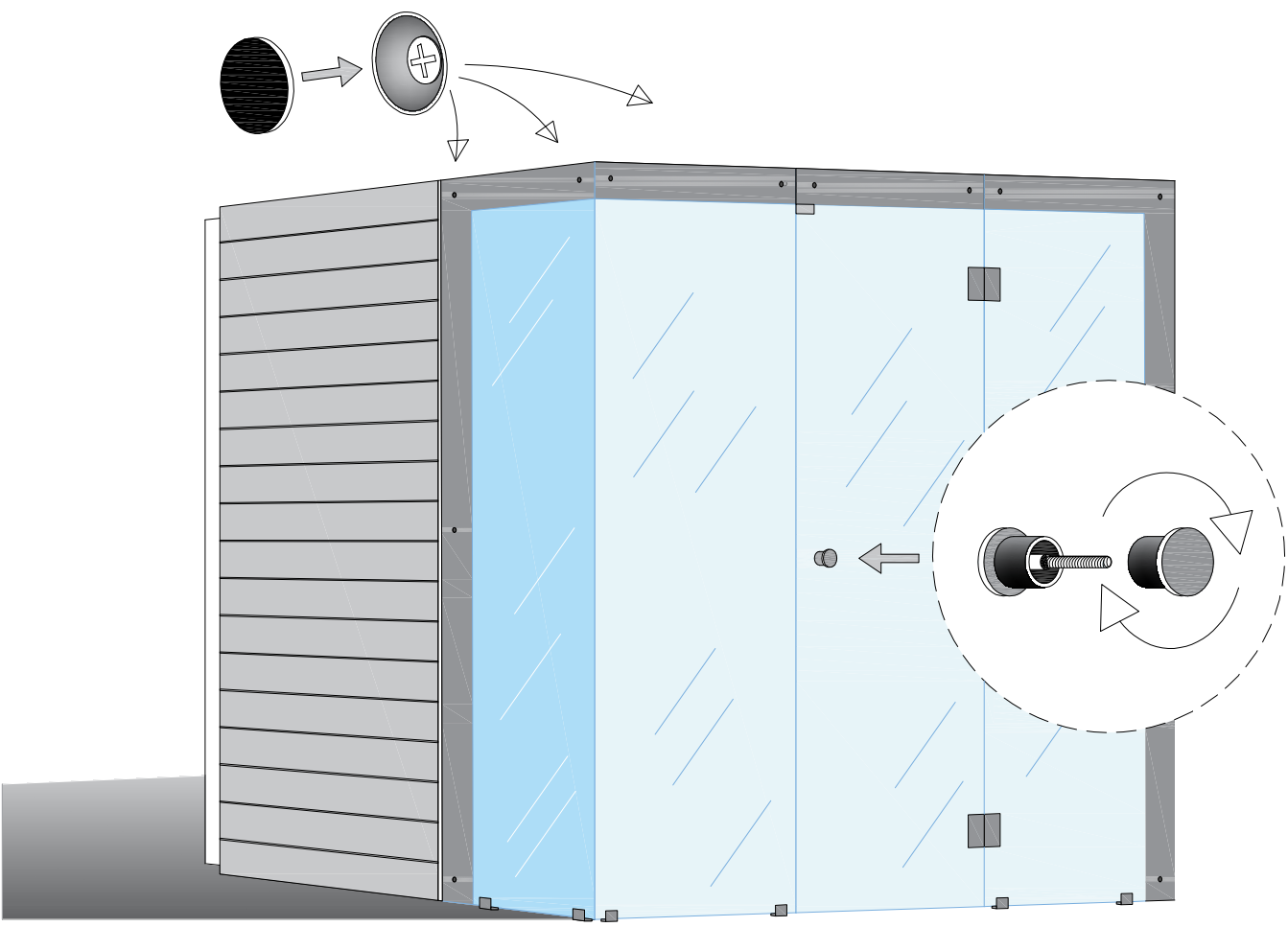
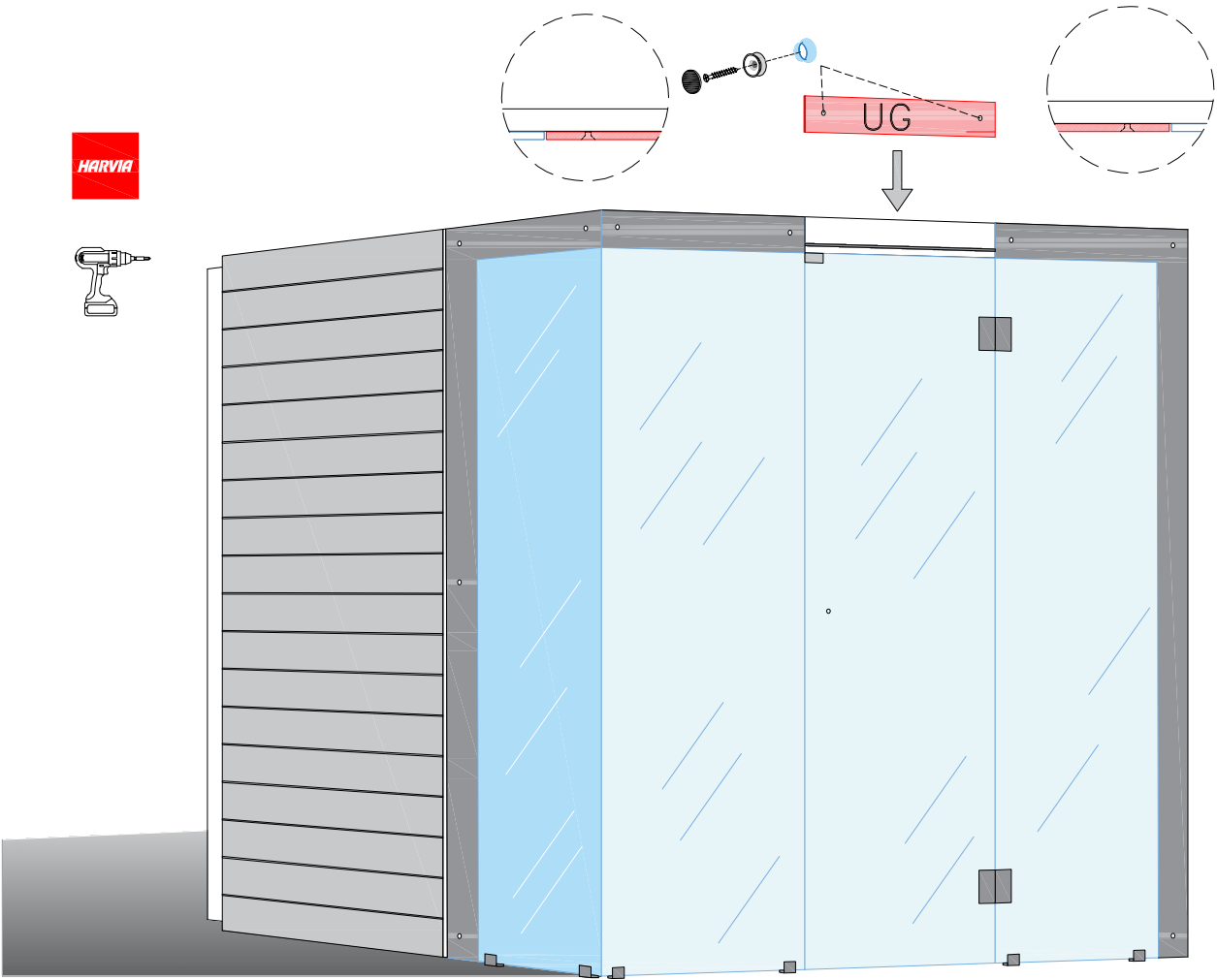


1-032-927 black

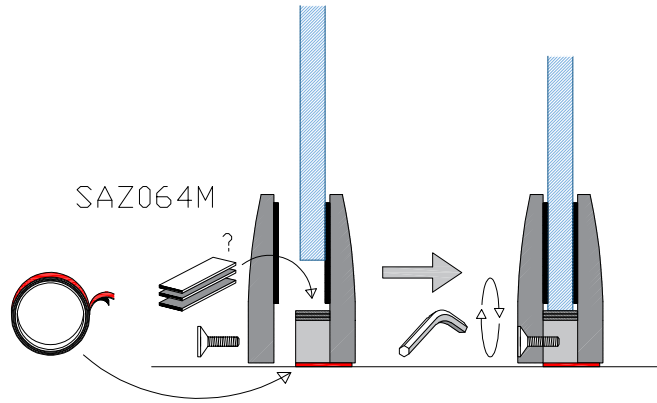
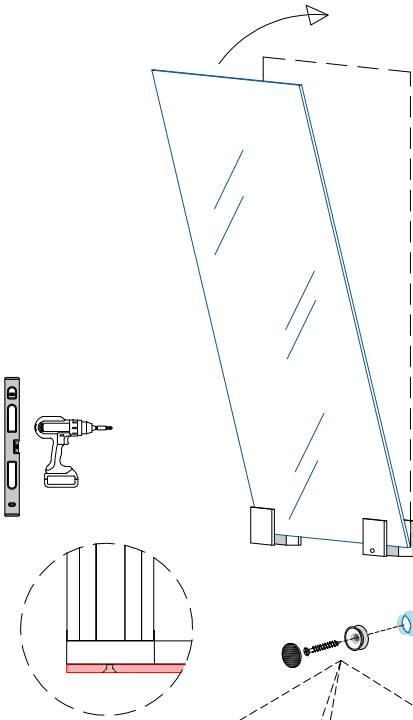
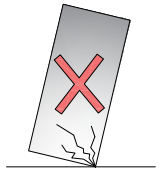
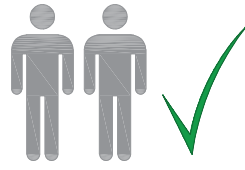
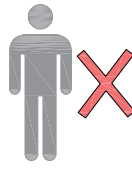
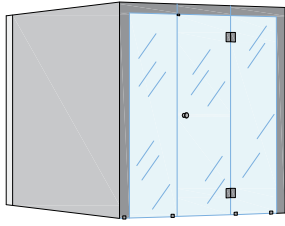


×2

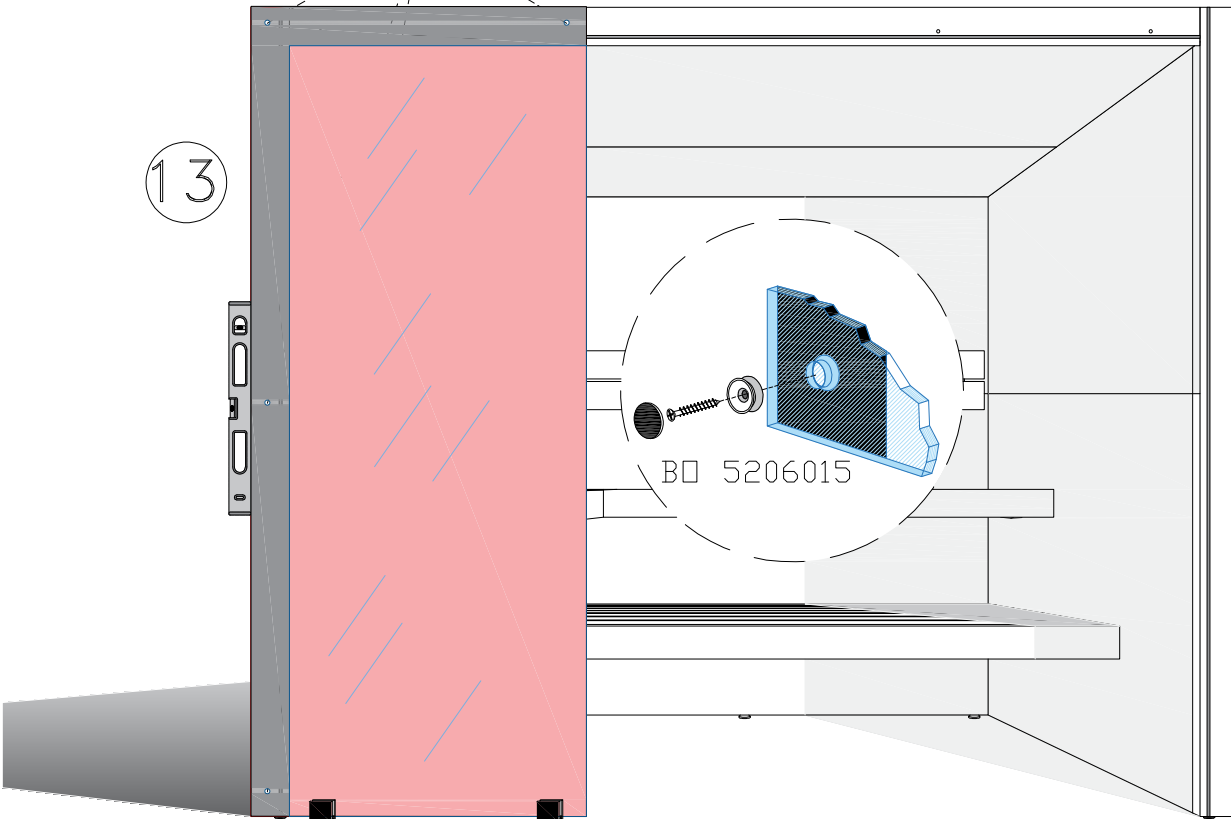




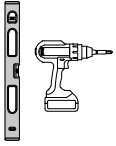




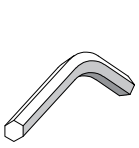
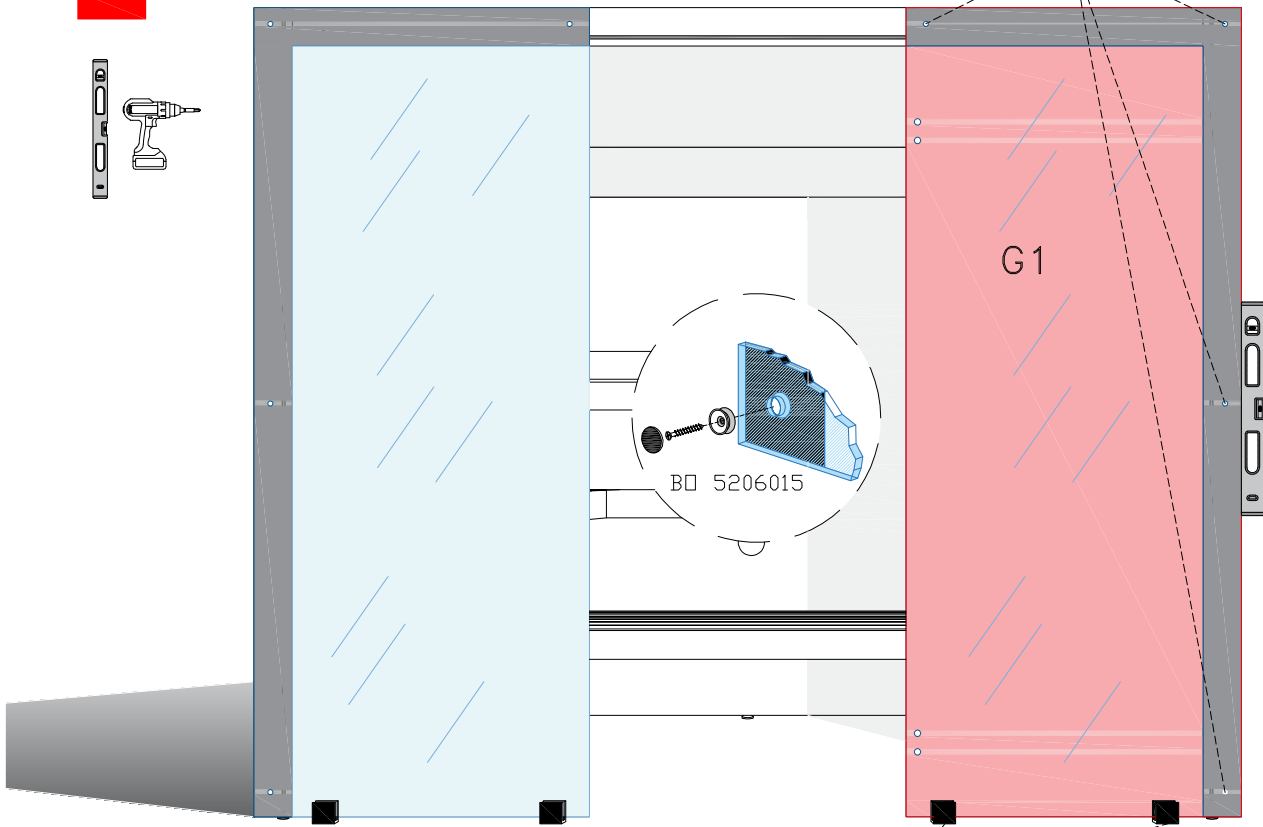
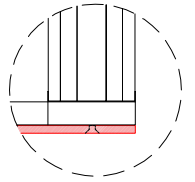
13



SAZ064M



BO 5206015



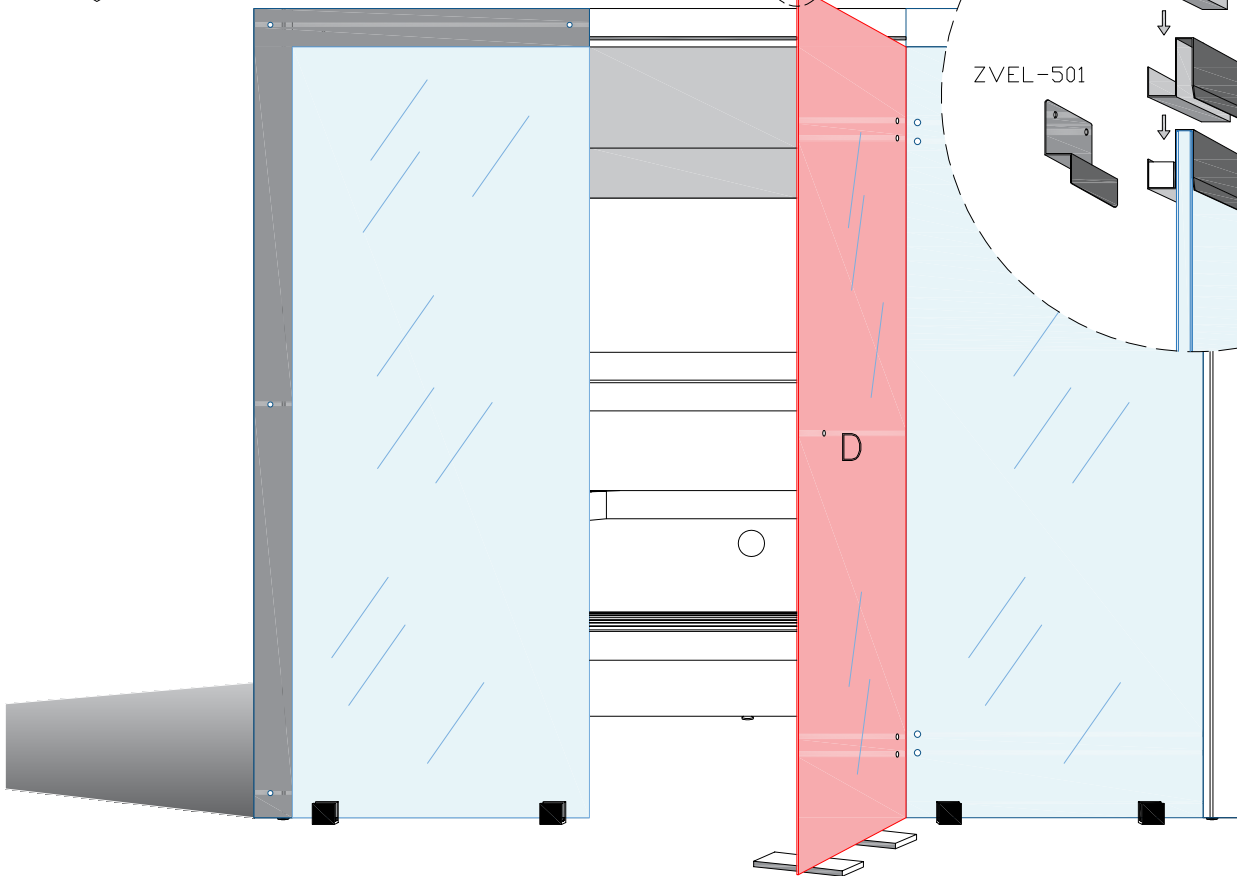
1-032-927 black  
x2

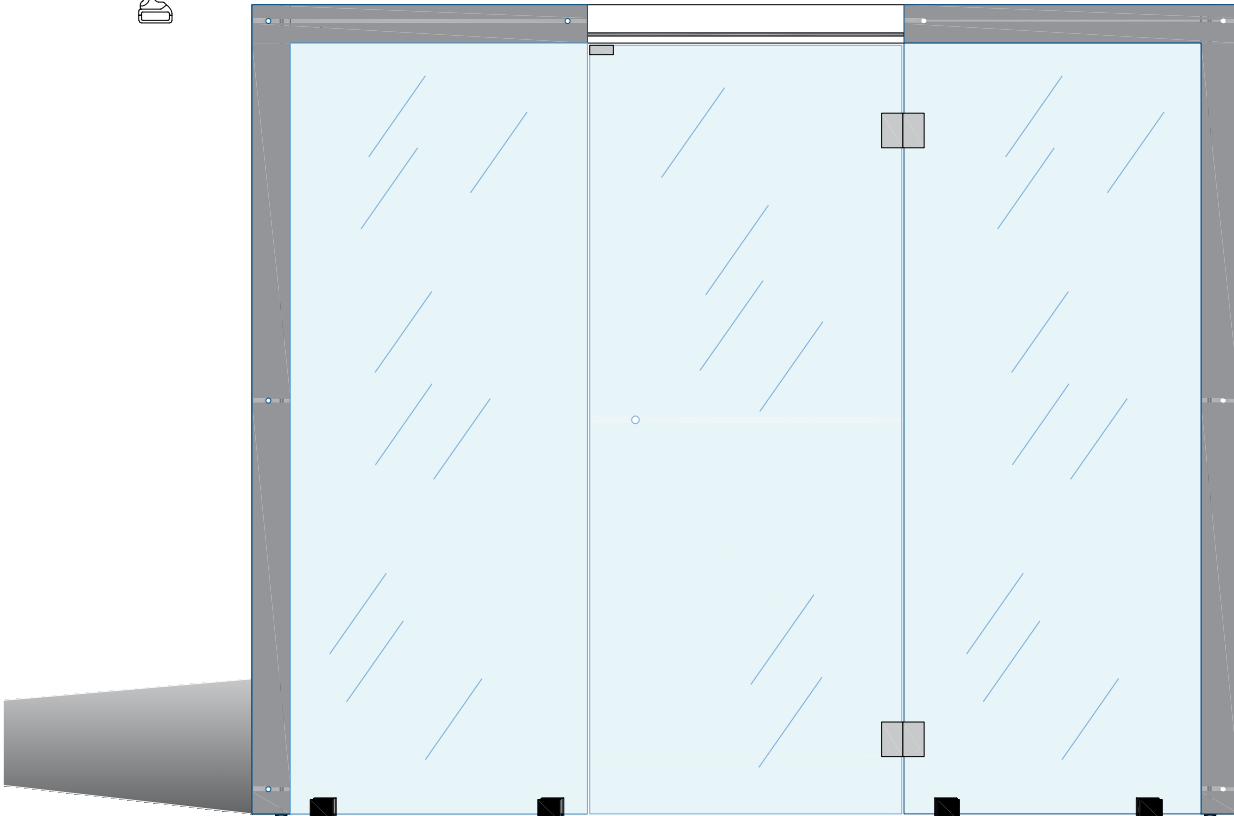
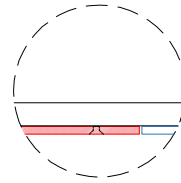
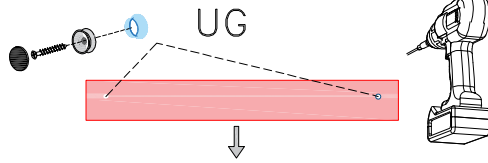
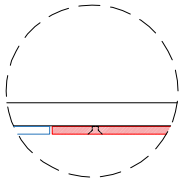
SAZ064M

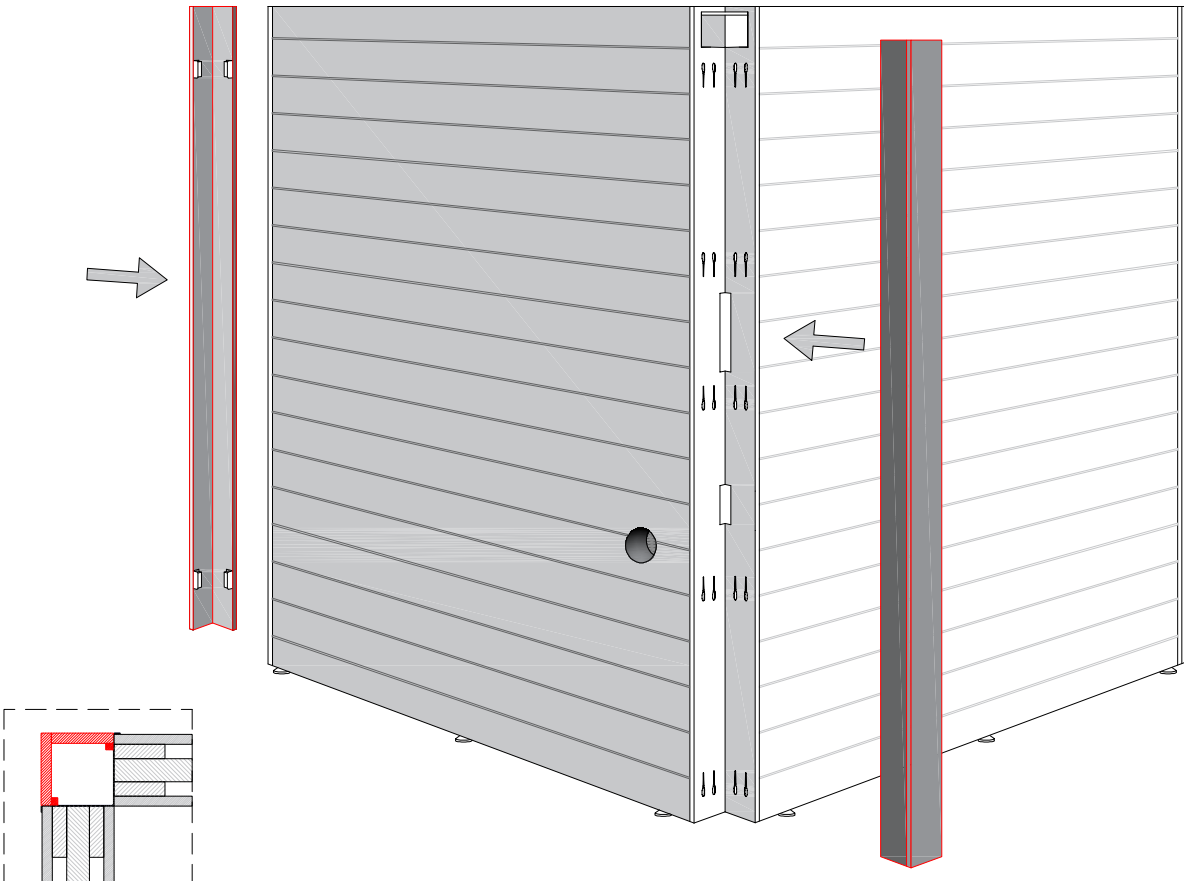
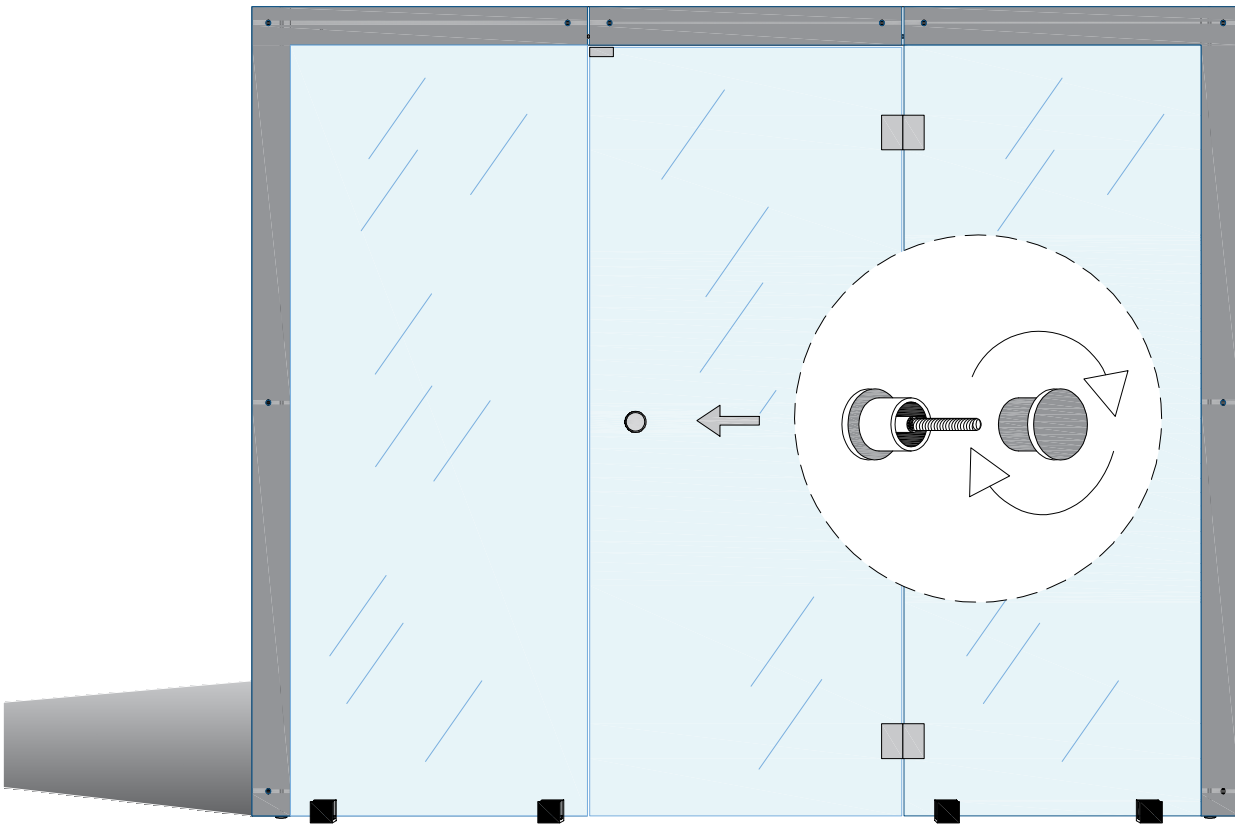
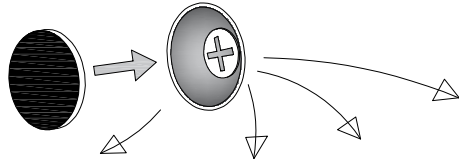
SAZ048KPL

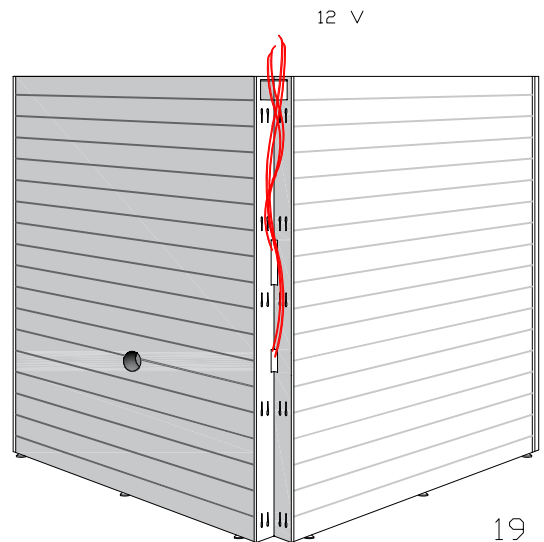
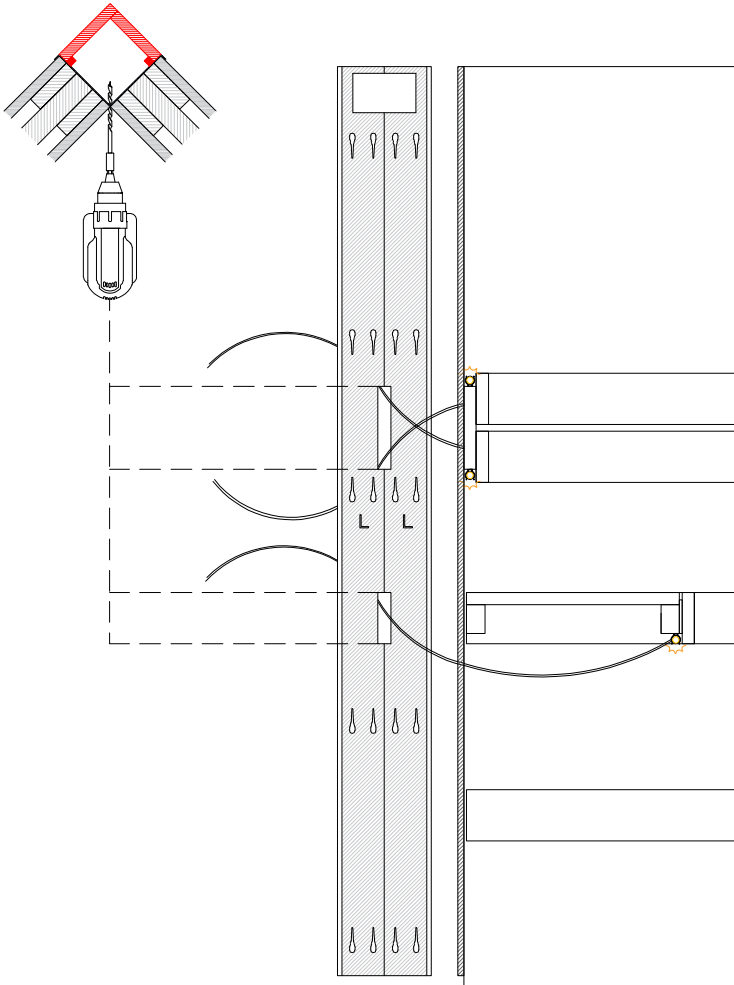
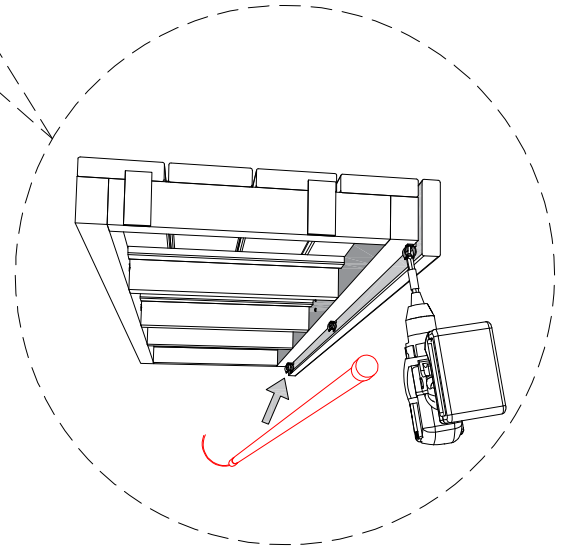
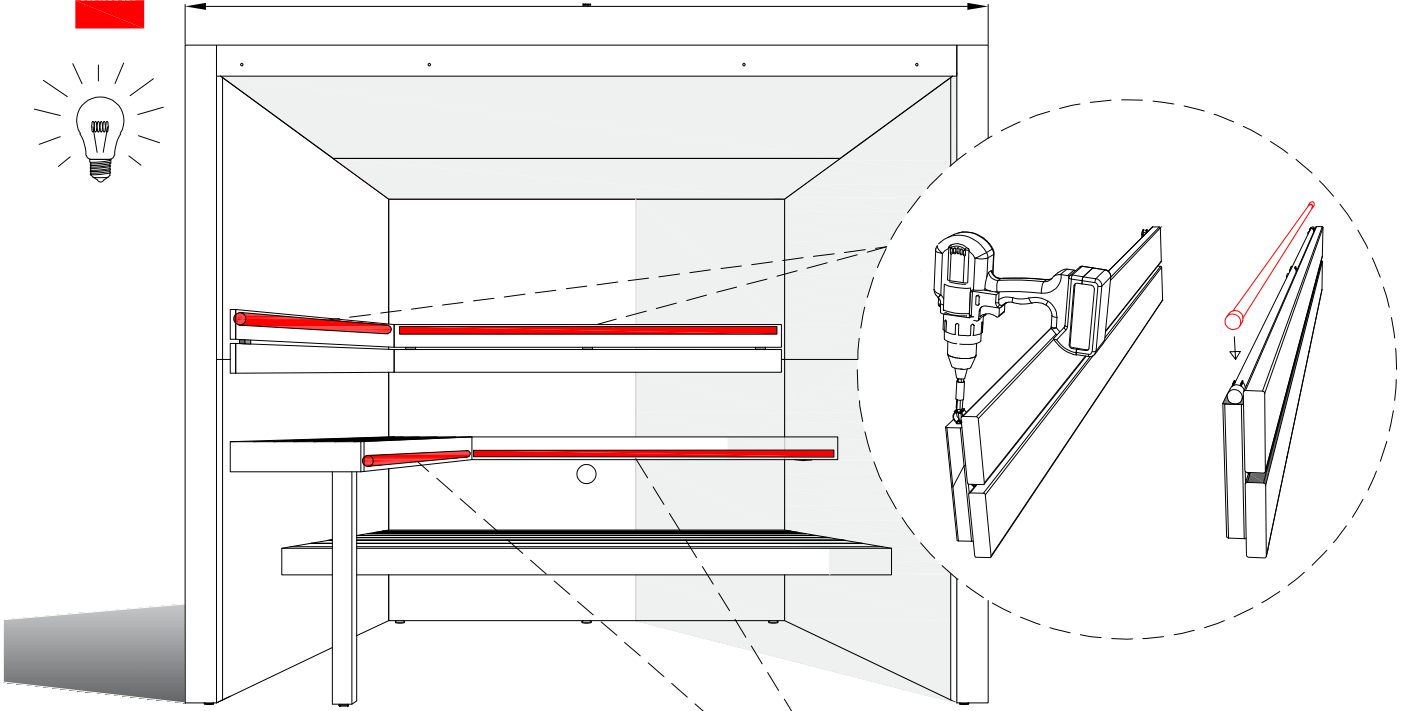
ZVEL-501

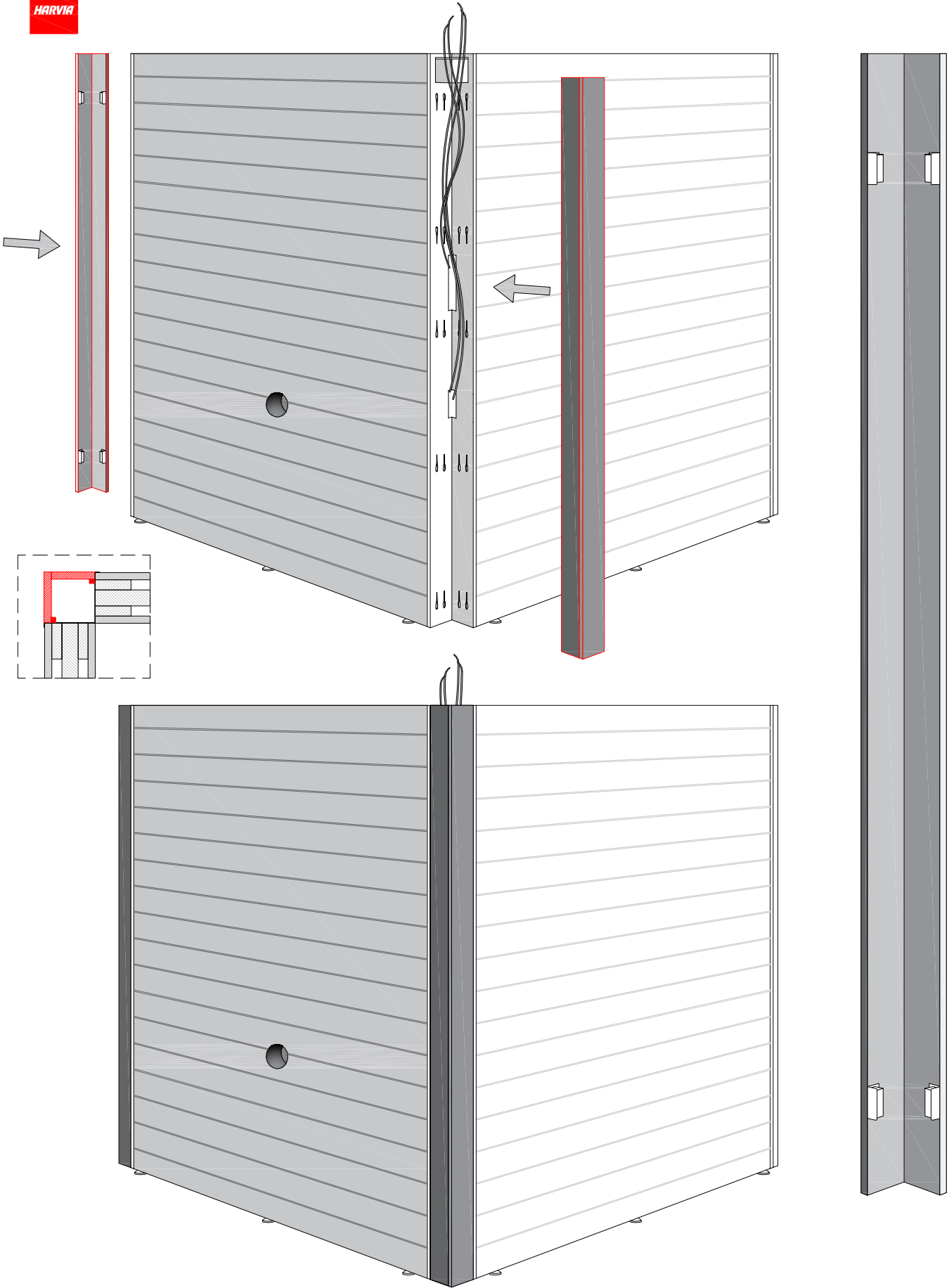
ZVEL-500

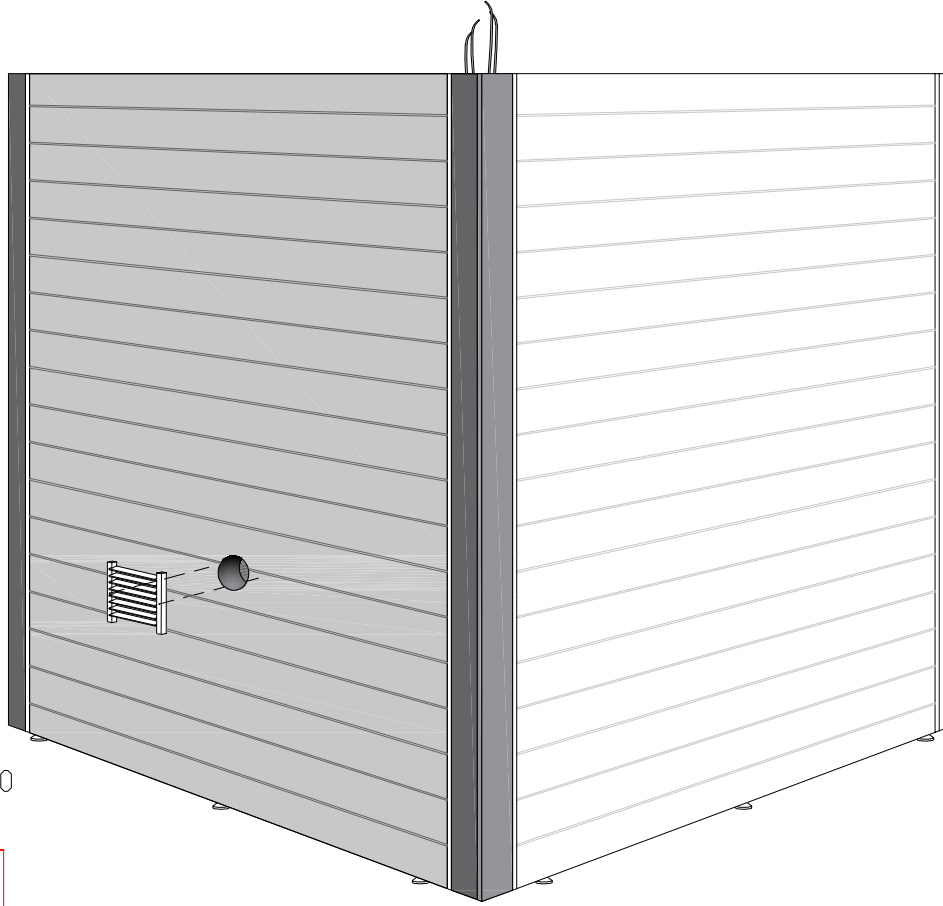




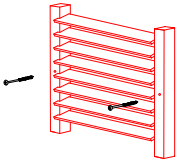




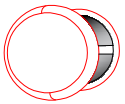




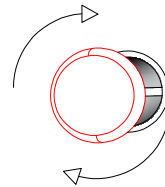
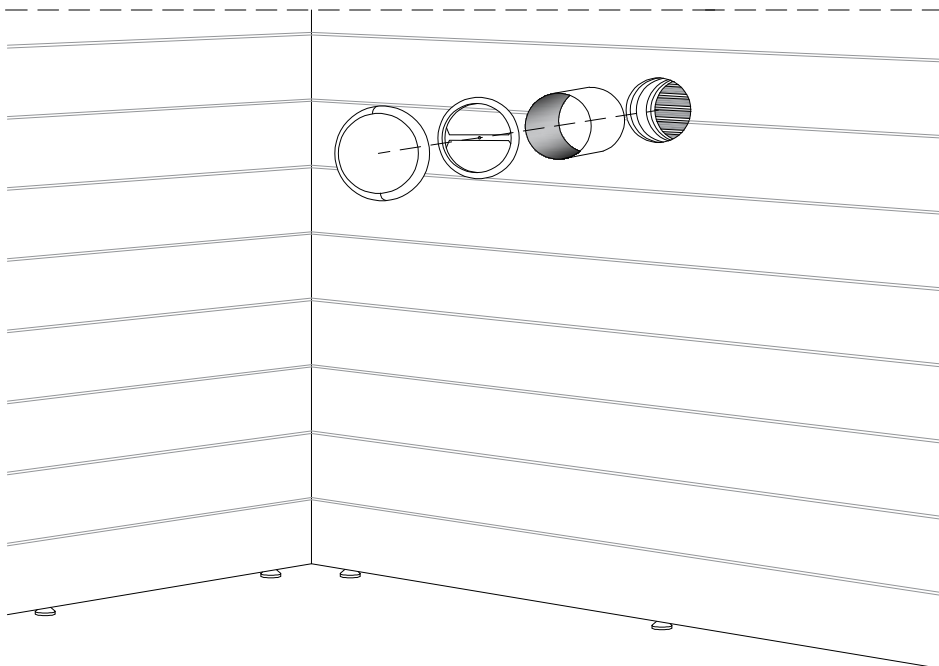
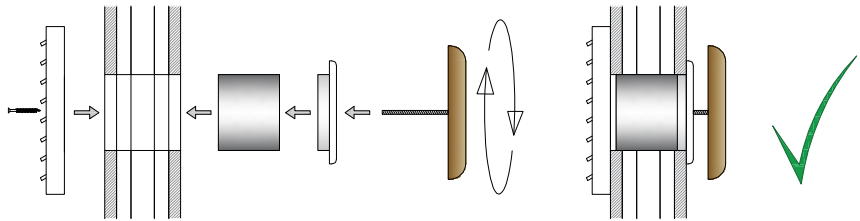
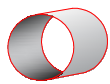
SAS24300

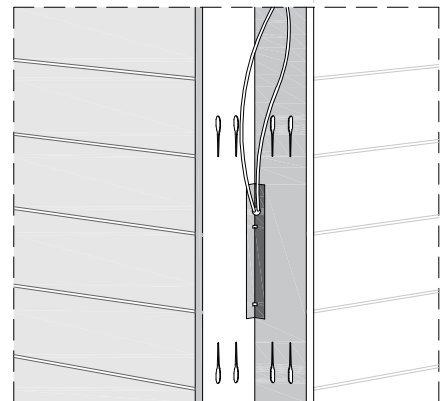
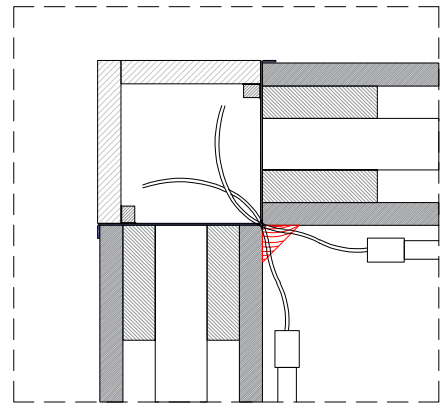
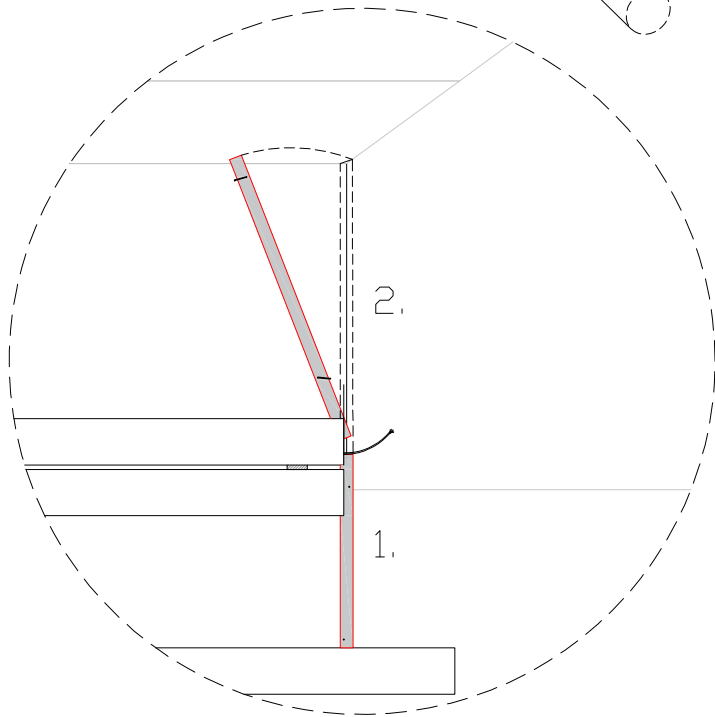
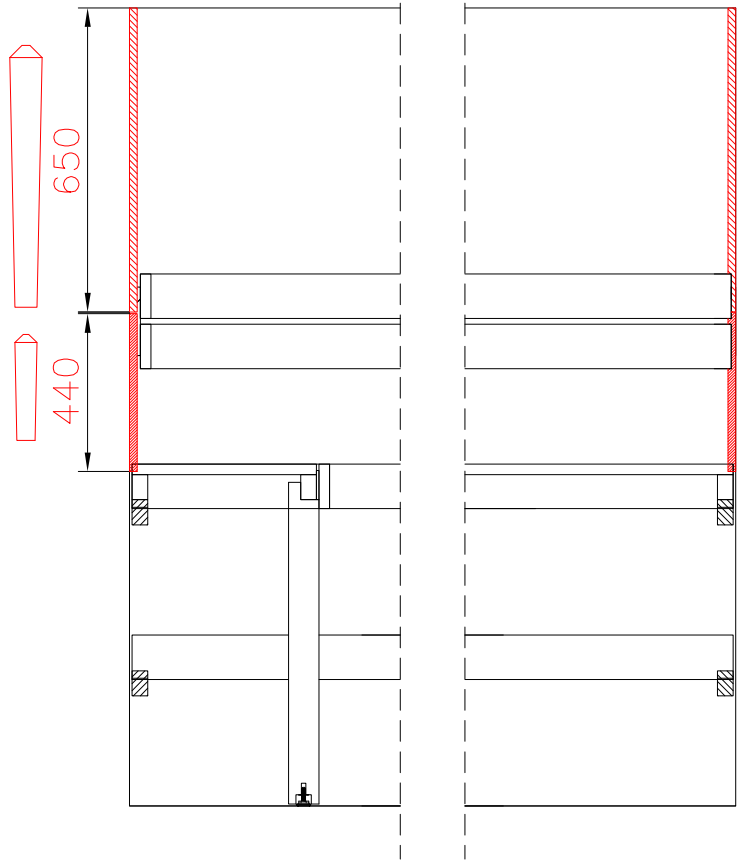
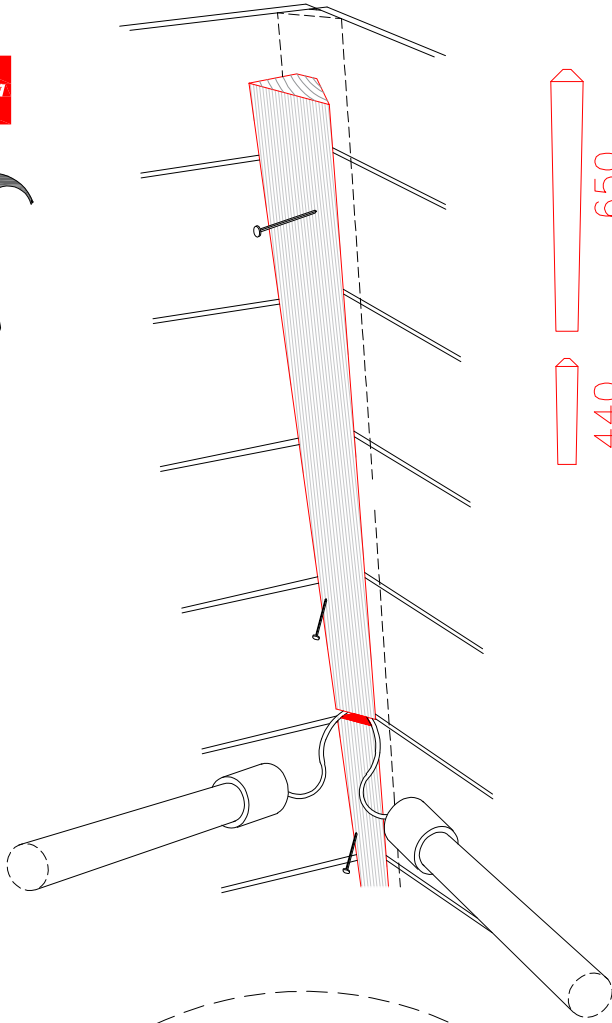
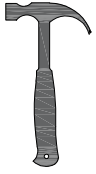


SAS24300



ZVEL-10









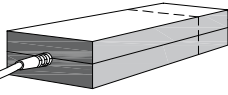
# RGBW LED

LED-PWS-24-90/160

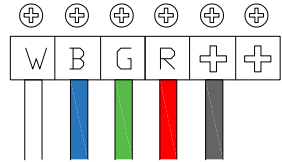
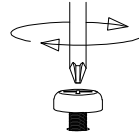
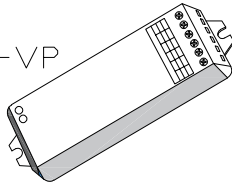
230V



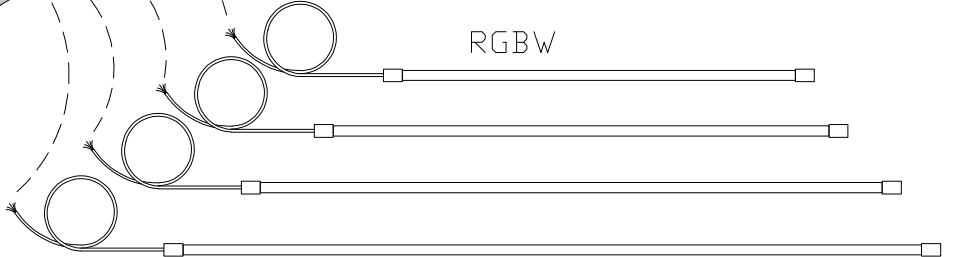
24V



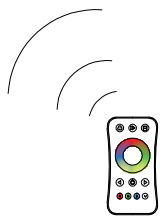
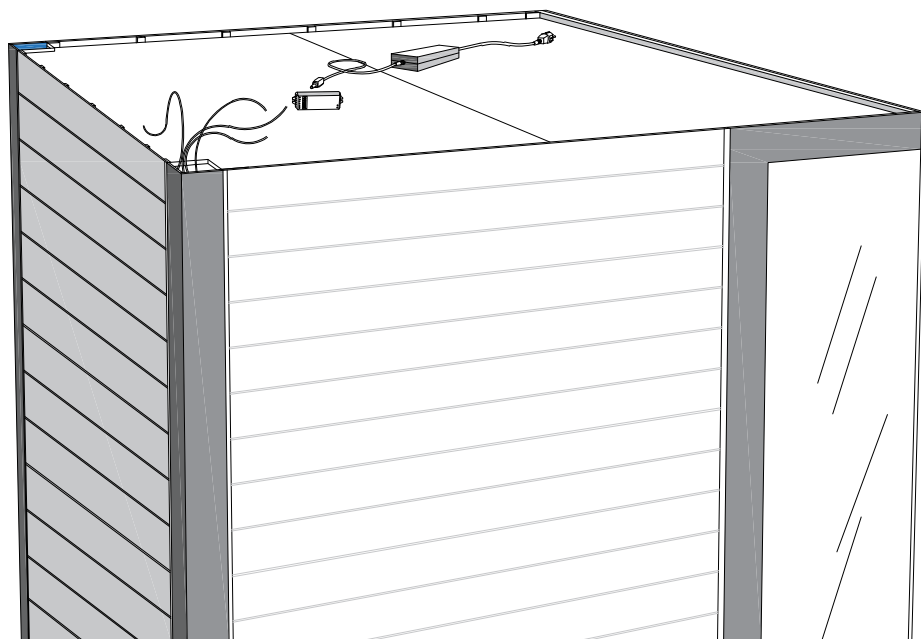
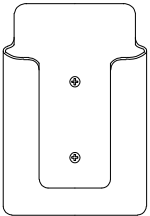
LC-CV-VP



RGBW



LR-1Z





# HEATER

